

EFFICIENCY PRODUCTION

AMERICA'S TRENCH BOX BUILDER™

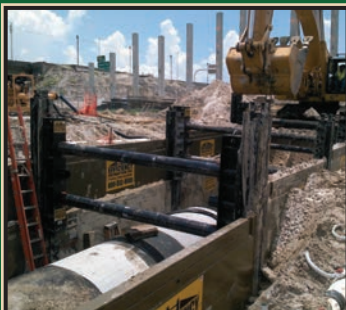
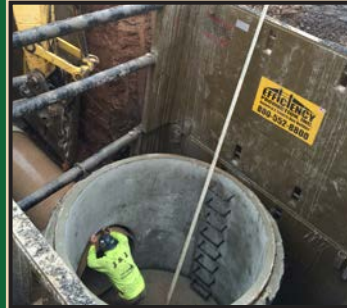
Pricelist Reference 2026

Please call or email for
current pricing and surcharges

Effective - 02/16/2025 | REVISED - 05/27/2025

TRENCH SHIELDS ■ SLIDE RAIL SYSTEMS ■ BEDDING CONTAINERS ■ HYDRAULIC SHORING

22"
PIPE CLEARANCE
64"



16'
20'
24'
33'
DEPTH OF CUT
39'
44'
48'
60'

720 SHIELD CAPACITY (PSF) 2,700

EFFICIENCY PRODUCTION
Pricelist 2026



America's Trench Box Builder™



www.encyproduction.com • 800-552-8800 • Fax 517.676.0373



2026 Efficiency Production Price List

Terms and Conditions of Sale	Section 1
Warranty	Pgs 1-2
Steel Trench Shields - Contractor Series	Section 2
XLS 4 in. Single Wall	Pg 3
XLD 4 in. Double Wall	Pg 4
HT6 6 in. Double Wall	Pg 5
HT8 8 in. Double Wall	Pg 6
HDHT8 8 in. Heavy Duty Double Wall	Pg 7
Steel Trench Shields - Municipal Series	Section 3
XLSM3 / XLDM3 3 in. Municipal Trench Shield	Pg 8
XLSM / XLDM 4 in. Municipal Trench Shield	Pg 9
Steel Trench Shields - Manhole Shields	Section 4
MHXLD-CEP 4 in. Sidewall with Corner End Plates	Pg 10
MHXLDW 4 in. Sidewall with Wrap-Around End Plates	Pg 11
Tap Box	Pg 12
Options & Accessories	Section 5
Steel Trench Shields	Pg 13
Spreader Pipe & Arches	Section 6
Schedule Pipe, Mud Plate	Pg 14
Arches	Pg. 15
Build-A-Box™ Modular Aluminum Shoring System	Section 7
Panels, Corner End Posts, Connection and Octagon Posts	Pg 16
Adjustable Spreader and hi-clearance Arch, Sheeting Guide Frame, Accessories	Pg 17
Aluminum Trench Shields	Section 8
XLAP™ 3 in. Sidewall Trench Shield	Pg 18
XLAP-SF Steel Wrap-Around Frame	Pg 19
Corru-Lite™ Corrugated Aluminum Static Utility Shield	Pg 20
Alum-A-Shield™ Corrugated Aluminum Trench Shield	Pg 21
Alum-A-Shield™ Corrugated Aluminum Hydraulic Trench Shield	Pg 22
Excavation Support Equipment	Section 9
Stone Mizer• Bedding Material Containers	Pg 23
Stone Saver (Arcosa Shoring Shared Product)	Pg 24
How to Size a Stone Mizer	Pg 25
Hi-Hopper Overhead Bedding Material Dispenser	Pg 26
Material Separator	Pg 26
Pipe Puller	Pg 27
Fall Protection	Pg 28
Slide Rail Systems	Section 10
Panels, Posts, & Parallel Beams	Pg 29
Shore-Trak™ Sheeting Guide Frames	Pg 30
Slide Rail Accessories & Job Box Content	Pg. 31
Job Box Parts	Pg 32
Quicksheet Guideframe	Section 11
Quicksheet Guideframe	Pg 33
Hydraulic Shoring	Section 12
Vertical Hydraulic Shores	Pg 34
Heavy Duty Vertical Hydraulic Shores	Pg 35
Horizontal Hydraulic Walers	Pg 36
Extension Systems, Replacement Rails	Pg 37
Hydraulic Cylinders & Components	Pg 38
2 in. Cylinder Parts Labled	Pg 39
Accessories	Pg 40
Hand Pump, Plastic	Pg 41
Subassembly - Plastic Hand Pump	Pg 42
Hand Pump, Steel	Pg 43
End Shores	Pg 44
Utility Shores	Pg 44

The following terms and conditions (“Terms”) shall be the exclusive terms incorporated into all quotations, purchase orders, sales contracts and purchase order acknowledgements (collectively, an “Order”) for the sale of Seller’s Goods. No contract shall be formed except upon these Terms. No terms or conditions embodied in any other document that pertains to an Order shall be applicable to the Seller unless expressly agreed to in writing by Seller.

1. **SPECIFICATIONS, CHANGES AND INSPECTION:** If Seller is unable to secure materials required for manufacture of the Goods in exact accordance with specification requirements by reason of government regulations or for any other reason beyond the control of Seller, Seller shall be entitled to make changes in the specifications which do not materially affect the strength or efficiency of the Goods. Specification changes by the Customer shall be binding on Seller only when set forth in a written agreement signed by both parties specifying the changes and the price adjustment therefor. Customer may inspect the Goods during manufacture at Seller’s plant upon Customer’s prior notice to Seller and Seller’s approval. Upon completion of all or any portion of the Goods, Customer may arrange for final inspection thereof at Seller’s plant. If requested by Seller, Customer shall execute a Certificate of Inspection and Acceptance covering all Goods found to be completed in accordance with the specifications and Customer shall deliver the executed Certificates to Seller. Each inspection Certificate, when signed by the Customer and with respect to Goods covered thereby, shall be final and conclusive confirmation that such Goods conform in workmanship, material and construction, and in all other respects, to the requirements and provisions of the Order.

2. **DRAWINGS AND SPECIFICATIONS:** No drawings, specifications, or other data submitted to Seller by Customer shall be made a part of any Order unless specifically referred to in the Order and then subject to, and only to the extent of, any restrictions, limitations or other provisions set forth in the Order. Seller has no responsibility for reviewing any drawings, plans, designs, specifications or other data provided by Customer for any purpose other than at Customer’s request, to determine the quantity of Goods that could be required for Customer’s planned use or construction utilizing the Goods.

3. **DELIVERY:** If a date, period, or time for delivery of the Goods is set forth in an Order, it is an estimate only and is subject to and conditioned upon the date of Customer’s acceptance of the Order, timely receipt by Seller of Customer’s deliverables (including, without limitation, dimensions, engineering data and other engineering, shop or detail drawings specifications, and materials), Seller’s ability to secure raw materials to enable Seller to meet production requirements for the Goods and delays due to strikes, shortages in skilled labor, fires, accidents or any other causes or contingencies beyond Seller’s control (“Delay Event”). Delay in delivery of all or any portion of the Goods that is not due to Seller’s willful act shall not constitute a default under the Order. Seller shall not be under any obligation to arrange for shipment and acceptance of any required raw materials in advance of Seller’s actual needs as determined in Seller’s sole discretion. Unless otherwise agreed by the parties, the Goods are delivered f.o.b. Seller’s manufacturing facility, (“Delivery”). Title and risk of loss of the Goods shall pass to the Customer upon shipment. Should Delivery be to Customer’s site, it is agreed that Seller is not responsible for the placement or installation of the Goods. The configuration, deployment, use and installation of the Goods are the sole responsibility of Customer. Unless otherwise agreed in writing, Customer agrees to accept delivery of all or any portion of the Goods as they are completed and delivered to Customer.

4. **PRICE AND TERMS OF PAYMENT:** The prices agreed between Seller and Customer are based on Seller’s cost for materials at the time of its quote or proposal. Seller reserves the right, upon notice to Customer, to adjust the prices to pass through to Customer any additional costs or surcharges incurred by Seller directly or indirectly due to (i) cost changes in materials after Seller’s quote or proposal and (ii) mutually agreed changes to the Goods. Unless otherwise agreed by the parties, Customer shall pay the full amount of the purchase price within thirty (30) days upon Seller’s presentation of an invoice. The purchase price for the Goods does not include any international, federal, state or local sales, use or related taxes, however designated or imposed, and any such sales, use or similar tax arising out of this transaction shall be for Customer’s account. If Customer fails to pay timely, Seller may, in addition to any rights at law or equity charge interest on unpaid balances at the highest lawful rate. To secure Customer’s fulfillment of its obligations to Seller under the Quotation Customer hereby grants to Seller a security interest in the Goods delivered and the products, proceeds and accessions of and to any of the Goods, together with all right, title and interest of Customer therein and all rights and remedies which Customer might exercise with respect thereto but for the security interest granted. Customer acknowledges that the Order, including these terms and conditions shall constitute a security agreement between the parties.

MORE →

5. **NON DISCLOSURE:** Customer agrees not to disclose to any third party any of the terms, prices or information set forth in the Order or received from Seller in negotiating or in the performance of the Order. This obligation shall survive Delivery of the Goods. The obligations set forth in this provision shall not apply to any information which Customer can show it possessed prior to its disclosure by Seller, was or become available in the public domain, or is subsequently provided to it by another party having the right to possess and disclose the information.

6. **ASSIGNMENT:** Neither party shall assign any right, obligation or interest in the Goods or the Order without the express written consent of the other party.

7. **PATENTS:** Seller shall defend Customer against any claim that the Goods infringe a United States patent issued as of the date of the Order, provided: (i) Seller is notified promptly in writing and is given authority, information, and assistance, at Seller's expense, for the defense of same and (ii) Seller's obligation hereunder shall not cover or apply to any attachment or parts not manufactured by Seller. Seller shall pay all damages and costs awarded therein against Customer. If use of the Goods is enjoined, Seller, at its option, shall procure for Customer the right to continue using said Goods, replace same with non-infringing Goods, modify the Goods so that it becomes non-infringing, or refund the purchase price thereof. The foregoing states the entire liability of Seller for patent infringement by the Goods. Seller assumes no liability whatsoever for patent infringement for Goods or parts or attachments manufactured or supplied to Customer's design or specification or that are not manufactured by Seller and Customer agrees to indemnify, defend, and hold harmless Seller from any claim, loss, liability, or damage (including, without limitation, liability for patent infringement and reasonable attorneys' fees) arising out of or in connection with Seller's compliance with designs or specifications provided by others.

8. **WARRANTY:** Seller agrees to manufacture the Goods in accordance with the applicable specifications (except as to items manufactured or supplied to the Customer's design and specifications), and that the Goods will be free of defects in material and workmanship; provided, however, that Seller's obligation hereunder shall not cover or apply to any part of or attachment to the Goods not manufactured by Seller. To the extent available, and in accordance with the terms thereof, Seller will make available to Customer, upon Customer's written request, any warranty from the manufacturer of any such part or attachment not manufactured by Seller that is a part of the Goods. Seller's sole obligation under this warranty shall be limited to repairing or replacing at a shop selected by Seller, any of the Goods which shall, within the one year period after delivery, be returned to Seller by Customer with transportation charges prepaid and which Seller's examination shall disclose to its satisfaction to have been thus defective. SELLER MAKES NO REPRESENTATION OR PROMISE RELATING TO CUSTOMER'S ARRANGEMENT, USE OR DEPLOYMENT OF THE GOODS. THE WARRANTY SET FORTH HEREIN IS EXCLUSIVE AND IN LIEU OF ALL OTHER WARRANTIES EXPRESS OR IMPLIED. SELLER DISCLAIMS ALL OTHER WARRANTIES, INCLUDING THE WARRANTIES OF MERCHANTABILITY AND FITNESS FOR ANY PARTICULAR PURPOSE WHATSOEVER.

9. **LIMITATION OF DAMAGES:** In no event shall Seller or its officers, directors, employees or agents be liable to Customer or any other person for any indirect, special, cover, consequential or punitive damages such as, but not limited to, delay damages, lost profits or revenue, or lost opportunity damages, resulting from or in connection with any claim or cause of action, whether brought in contract or in tort, even if Seller knew or should have known of the possibility of such damages.

10. **APPLICABLE LAW:** THE QUOTATION, INCLUDING THESE TERMS AND CONDITIONS, SHALL BE GOVERNED BY AND CONSTRUED IN ACCORDANCE WITH THE LAWS OF THE STATE OF TEXAS. Any action or dispute arising out of or in connection with the Goods or these terms shall be filed and resolved exclusively in the State or Federal District Courts of Dallas County, Texas.

11. **MISCELLANEOUS:** These terms and conditions contain the entire agreement of the parties. The Order, including these Terms, shall not be modified unless such modification is written and signed by both parties. Customer may not cancel an accepted Order except with Seller's consent and subject to conditions at such time agreed upon which shall include protection of the Seller against any loss, credit or expense incurred or expected to be incurred. The waiver by Seller of any term, provision or condition hereunder must be in writing and shall not be construed to be a waiver of any other term, condition or provision hereof, nor shall such waiver be deemed a waiver of any breach of the same condition or provision at any other time.

Rev. Oct 5, 2018

XLS 4 in. Single Wall Steel Trench Shield (Price & Weight includes Stock Options)								
Model (Ht. x Lg.)	Stock Options	Shield Capacity (PSF)	Depth of Cut (Ft.) Soil Type			Pipe Cl. (In.)	Weight (Lbs.)	List Price
			B	C-60	C-80			
XLS-48	N4N8	2,220	49	37	28	22	1,800	\$8,596.00
XLS-410	N4N8	1,500	33	25	19	22	2,140	\$9,718.00
XLS-412	N4N8	1,020	23	17	13	22	2,460	\$10,817.00
XLS-414	N4N8	780	17	13	10	22	2,710	\$11,346.00
XLS-416	N4N8	660	15	11	8	22	3,060	\$12,250.00
XLS-418	N4N8	600	13	10	7	22	3,300	\$12,679.00
XLS-68	K4N4T	2,220	49	37	28	41	2,460	\$9,192.00
XLS-610	K4N4T	1,320	29	22	16	41	2,900	\$11,974.00
XLS-612	K4N4T	1,080	24	18	13	41	3,470	\$11,567.00
XLS-614	K4N4T	780	17	13	10	41	4,010	\$14,542.00
XLS-616	K4N4T	660	15	11	8	41	4,530	\$13,100.00
XLS-618	K4N4T	540	12	9	6	41	4,900	\$13,162.00
XLS-88	K4N4T	1,500	33	25	19	52	2,930	\$11,458.00
XLS-810	K4N4T	1,140	25	19	14	52	3,750	\$12,365.00
XLS-812	K4N4T	840	19	14	10	52	4,140	\$13,523.00

Available OPTIONS

4-Pipe or 5-Pipe
Knife Edge or No Knife Edge
No Stack Pockets
Inboard Stack Pockets
Pulling Lugs (set of 2)
Cutouts & Doors
Choice of Paint Color

Stock Options CODE

N4N8: No Knife Edge, 4-Pipe, No Foam, 8 Stack Pockets

K4F4T: Knife Edge, 4-Pipe, Foam, 4 Stack Pockets-Top of Sidewalls

XLD 4 in. Double Wall Steel Trench Shield (Price & Weight includes Stock Options)									
FillModel (Ht. x Lg.)	Stock Options	Shield Capacity (PSF)	Depth of Cut (Ft.) Soil Type			Pipe Cl. (In.)	Weight (Lbs.)	List Price	*Foam Fill
			B	C-60	C-80				
XLD-410	N4F8	2,760	61	46	34	22	2,850	\$11,454.00	\$316.00
XLD-412	N4F8	2,760	61	46	34	22	3,380	\$13,051.00	\$403.00
XLD-416	N4F8	1,500	33	25	19	22	4,130	\$15,378.00	\$528.00
XLD-420	N4F8	1,200	27	20	15	22	4,970	\$17,771.00	\$587.00
XLD-424	N4F8	840	19	14	10	22	6,130	\$20,596.00	\$690.00
XLD-68	K4F4T	2,760	61	46	34	41	3,550	\$12,513.00	\$323.00
XLD-610	K4F4T	2,760	61	46	34	41	4,120	\$14,783.00	\$403.00
XLD-612	K4F4T	2,460	55	41	31	41	4,790	\$16,581.00	\$454.00
XLD-616	K4F4T	1,440	32	24	18	41	5,970	\$20,156.00	\$609.00
XLD-620	K4F4T	1,380	31	23	17	41	7,220	\$23,980.00	\$645.00
XLD-624	K4F4T	900	20	15	11	41	8,680	\$27,805.00	\$771.00
XLD-88	K4F4T	2,760	59	61	46	64	4,380	\$14,125.00	\$417.00
XLD-810	K4F4T	2,640	59	44	33	64	5,090	\$16,771.00	\$535.00
XLD-812	K4F4T	2,040	45	34	25	64	5,800	\$18,827.00	\$615.00
XLD-816	K4F4T	1,560	35	26	20	64	7,270	\$23,062.00	\$710.00
XLD-820	K4F4T	1,320	29	22	16	64	9,000	\$27,030.00	\$803.00
XLD-824	K5F4T	900	20	15	11	64	11,420	\$33,589.00	\$943.00
XLD-1010	K4F4T	2,640	59	44	33	84	6,020	\$21,446.00	\$621.00
XLD-1012	K4F4T	1,980	44	33	25	84	7,000	\$24,126.00	\$690.00
XLD-1016	K4F4T	1,320	29	22	16	84	9,040	\$30,820.00	\$836.00
XLD-1020	K5F4T	960	21	16	12	84	10,890	\$37,023.00	\$1,003.00
XLD-1024	K5F4T	900	20	15	11	84	12,910	\$42,441.00	\$1,203.00

Available OPTIONS
4-Pipe or 5-Pipe
Knife Edge or No Knife Edge
*No Foam (SUBTRACT Foam Price)
No Stack Pockets
Inboard Stack Pockets
Pulling Lugs (set of 2)
Cutouts & Doors
Choice of Paint Color

Stock Options CODE

N4F8: No Knife Edge, 4-Pipe, Foam, 8 Stack Pockets
K4F4T: Knife Edge, 4-Pipe, Foam, 4 Stack Pockets-Top of Sidewalls
K5F4T: Knife Edge, 5-Pipe, Foam, 4 Stack Pockets-Top of Sidewalls

HT6 6 in. Double Wall Steel Trench Shield (Price & Weight includes Stock Options)									
Model (Ht. x Lg.)	Stock Options	Shield Capacity (PSF)	Depth of Cut (Ft.)			Pipe Cl. (In.)	Weight (Lbs.)	List Price	*Foam Fill
			B	C-60	C-80				
HT6-416	N4F8	1,860	41	31	23	22	5,310	\$19,666.00	\$614.00
HT6-420	N4F8	1,440	32	24	18	22	6,370	\$22,308.00	\$690.00
HT6-424	N4F8	1,140	25	19	14	22	7,510	\$25,772.00	\$798.00
HT6-426	N4F8	900	20	15	11	22	8,070	\$26,354.00	\$913.00
HT6-428	N4F8	660	15	11	8	22	8,750	\$27,934.00	\$965.00
						41			
HT6-616	K4F4T	2,340	52	39	29	41	7,000	\$20,406.00	\$631.00
HT6-620	K4F4T	1,440	32	24	18	41	8,330	\$25,150.00	\$752.00
HT6-624	K4F4T	1,140	25	19	14	41	10,210	\$29,949.00	\$906.00
HT6-626	K4F4T	960	21	16	12	41	10,890	\$32,088.00	\$977.00
HT6-628	K4F4T	780	17	13	10	41	11,680	\$33,971.00	\$1,026.00
HT6-816	K4F4T	1,980	44	33	25	64	8,440	\$27,568.00	\$899.00
HT6-820	K4F4T	1,560	35	26	20	64	10,410	\$33,660.00	\$1,075.00
HT6-824	K4F4T	1,140	25	19	14	64	12,270	\$37,298.00	\$1,312.00
HT6-826	K4F4T	960	21	16	12	64	12,290	\$41,211.00	\$1,427.00
HT6-827	K5F4T	780	17	13	10	64	13,240	\$41,609.00	\$1,456.00
HT6-828	K5F4T	720	16	12	9	64	13,700	\$43,040.00	\$1,501.00
HT6-1016	K5F4T	1,680	37	28	21	84	10,380	\$34,582.00	\$1,075.00
HT6-1020	K5F4T	1,440	32	24	18	84	12,900	\$41,545.00	\$1,318.00
HT6-1024	K5F4T	1,200	27	20	15	84	15,890	\$48,504.00	\$1,539.00
HT6-1026	K5F4T	1,080	24	18	14	84	17,200	\$52,071.00	\$1,662.00
HT6-1027	K5F4T	960	21	16	12	84	18,113	\$53,842.00	\$1,724.00
HT6-1028	K5F4T	720	16	12	9	84	18,460	\$55,872.00	\$1,784.00

Available OPTIONS

4-Pipe or 5-Pipe
Knife Edge or No Knife Edge
*No Foam (SUBTRACT Foam Price)
No Stack Pockets
Inboard Stack Pockets
Pulling Lugs (set of 2)
Cutouts & Doors
Choice of Paint Color

Stock Options CODE

N4F8: No Knife Edge, 4-Pipe, Foam, 8 Stack Pockets
K4F4T: Knife Edge, 4-Pipe, Foam, 4 Stack Pockets-Top of Sidewalls
K5F4T: Knife Edge, 5-Pipe, Foam, 4 Stack Pockets-Top of Sidewalls

HT8 8 in. Double Wall Steel Trench Shield (Price & Weight includes Stock Options)									
Model (Ht. x Lg.)	Stock Options	Shield Capacity (PSF)	Depth of Cut (Ft.)			Pipe Cl. (In.)	Weight (Lbs.)	List Price	*Foam Fill
			B	C-60	C-80				
HT8-416	N4F8	2,580	57	43	32	22	6,150	\$19,391.00	\$695.00
HT8-420	N4F8	1,800	40	30	22	22	7,120	\$22,251.00	\$808.00
HT8-424	N4F8	1,260	28	21	16	22	8,360	\$26,386.00	\$949.00
HT8-427	N4F8	1,020	23	17	13	22	9,280	\$28,836.00	\$1,068.00
HT8-430	N4F8	840	19	14	11	22	10,080	\$29,742.00	\$1,153.00
HT8-616	K4F4T	2,640	59	44	33	41	7,930	\$24,097.00	\$808.00
HT8-620	K4F4T	1,800	40	30	22	41	9,210	\$27,559.00	\$949.00
HT8-624	K4F4T	1,260	28	21	16	41	10,210	\$31,941.00	\$1,131.00
HT8-627	K4F4T	1,020	23	17	13	41	12,330	\$34,570.00	\$1,237.00
HT8-630	K4F4T	1,020	23	17	13	41	13,560	\$37,758.00	\$1,348.00
HT8-816	K4F4T	2,580	57	43	32	64	9,150	\$29,305.00	\$1,245.00
HT8-820	K5F4T	2,100	46	35	26	64	10,960	\$34,608.00	\$1,334.00
HT8-824	K5F4T	1,500	33	25	19	64	13,420	\$42,042.00	\$1,564.00
HT8-828	K5F4T	1,140	25	19	14	64	15,100	\$46,453.00	\$1,808.00
HT8-830	K5F4T	840	19	14	11	64	15,930	\$48,508.00	\$2,039.00
HT8-1016	K4F4T	2,220	49	37	28	84	12,480	\$38,867.00	\$1,608.00
HT8-1020	K5F4T	1,920	43	32	24	84	14,740	\$45,687.00	\$1,885.00
HT8-1024	K5F4T	1,680	37	28	21	84	16,270	\$50,439.00	\$2,147.00
HT8-1028	K5F4T	1,200	27	20	15	84	19,400	\$58,717.00	\$2,391.00
HT8-1032	K5F4T	1,020	23	17	13	84	20,570	\$60,407.00	\$2,559.00

Available OPTIONS

4-Pipe or 5-Pipe
Knife Edge or No Knife Edge
*No Foam (SUBTRACT Foam Price)
No Stack Pockets
Inboard Stack Pockets
Pulling Lugs (set of 2)
Cutouts & Doors
Choice of Paint Color

Stock Options CODE

N4F8: No Knife Edge, 4-Pipe, Foam, 8 Stack Pockets
K4F4T: Knife Edge, 4-Pipe, Foam, 4 Stack Pockets-Top of Sidewalls
K5F4T: Knife Edge, 5-Pipe, Foam, 4 Stack Pockets-Top of Sidewalls

HDHT8 8 in. Heavy Duty Double Wall

HDHT8 8 in. Double Wall Steel Trench Shield (Price & Weight includes Stock Options)								
Model (Ht. x Lg.)	Stock Options	Shield Cap. (PSF)	Depth of Cut (Ft.)		Soil Type	Pipe Cl. (In.)	Weight (Lbs.)	List Price
			B	C-60	C-80			
HDHT8-824-30	K5F4T	1,800	40	30	22	64	14,500	Call EPI Sales Dept. for current pricing, 800-552-8800
HDHT8-824-33	K5F4T	1,980	44	33	25	64	15,400	
HDHT8-824-35	K5F4T	2,100	47	35	26	64	16,100	
HDHT8-826-22	K5F4T	1,320	29	22	16	64	14,950	
HDHT8-826-30	K5F4T	1,800	40	30	22	64	20,100	
HDHT8-827-27	K5F4T	1,620	36	27	20	64	18,215	
HDHT8-828-20	K5F4T	1,200	26	20	15	64	16,100	
HDHT8-828-24	K5F4T	1,440	32	24	18	64	21,300	
HDHT8-830-20	K5F4T	1,200	26	20	15	64	19,995	
HDHT8-830-25	K5F4T	1,500	33	25	19	64	22,400	
HDHT8-1024-31	K5F4T	1,860	41	31	23	84	17,490	
HDHT8-1024-35	K5F4T	2,100	47	35	26	84	18,800	
HDHT8-1024-40	K5F4T	2,400	53	40	30	84	23,250	
HDHT8-1026-28	K5F4T	1,680	37	28	21	84	19,560	
HDHT8-1028-24	K5F4T	1,440	32	24	18	84	24,795	
HDHT8-1030-20	K5F4T	1,200	26	20	15	84	23,400	
HDHT8-1030-25	K5F4T	1,500	33	25	19	84	24,795	

Available OPTIONS

4-Pipe or 5-Pipe
Knife Edge or No Knife Edge
*No Foam (SUBTRACT Foam Price)
No Stack Pockets
Inboard Stack Pockets
Pulling Lugs (set of 2)
Cutouts & Doors
Choice of Paint Color

Stock Options CODE

K4F4T: Knife Edge, 4-Pipe, Foam, 4 Stack Pockets-Top of Sidewalls
K5F4T: Knife Edge, 5-Pipe, Foam, 4 Stack Pockets-Top of Sidewalls

Steel Trench Shield - Municipal Series

XLSM3/XLDM3 3 in. Single/Double Wall

XLSM3 - 3 in. Single Wall Municipal Trench Shield								
Model (Ht. x Lg.)	Stock Options	Shield Capacity (PSF)	Depth of Cut (Ft.) Soil Type			Pipe Cl. (In.)	Weight (Lbs.)	List Price
			B	C-60	C-80			
XLSM-3-46	N4N8	1,380	31	23	17	22	1,000	\$5,688.00
XLSM-3-48	N4N8	780	17	13	10	22	1,200	\$5,719.00
XLSM-3-410	N4N8	600	13	10	7	22	1,450	\$6,798.00
XLSM-3-412	N4N8	480	11	8	6	22	1,650	\$7,472.00
XLSM-3-414	N4N8	420	9	7	5	22	1,850	\$8,233.00
XLSM-3-416	N4N8	360	8	6	4	22	2,100	\$8,991.00
XLSM-3-66	K4N4T	1200	27	20	15	36	1,340	\$6,292.00
XLSM-3-68	K4N4T	960	21	16	12	36	1,650	\$7,898.00
XLSM-3-610	K4N4T	780	17	13	10	36	2,030	\$9,276.00
XLSM-3-612	K4N4T	540	12	9	7	36	2,310	\$9,692.00
XLSM-3-614	K4N4T	420	9	7	5	36	2,740	\$11,055.00
XLSM-3-616	K4N4T	360	8	6	4	36	3,140	\$12,165.00
XLSM-3-86	K4N4T	1200	27	20	15	36	1,620	\$7,999.00
XLSM-3-88	K4N4T	960	21	16	12	36	2,000	\$9,700.00
XLSM-3-810	K4N4T	600	13	10	7	36	2,460	\$11,248.00
XLSM-3-812	K4N4T	480	11	8	6	36	2,800	\$12,320.00

XLDM3 - 3 in. Double Wall Municipal Trench Shield									
Model (Ht. x Lg.)	Stock Options	Shield Capacity (PSF)	Depth of Cut (Ft.) Soil Type			Pipe Cl. (In.)	Weight (Lbs.)	List Price	*Foam Fill
			B	C-60	C-80				
XLDM3-48	N4F8	1,500	33	25	19	22	1,560	\$8,761.00	\$260.00
XLDM3-410	N4F8	1,380	31	23	17	22	1,900	\$9,954.00	\$289.00
XLDM3-412	N4F8	960	21	16	12	22	2,110	\$10,930.00	\$346.00
XLDM3-414	N4F8	780	17	13	10	22	2,350	\$10,775.00	\$430.00
XLDM3-416	N4F8	600	13	10	7	22	2,660	\$11,737.00	\$490.00
XLDM3-68	K4F4T	1,920	43	32	24	36	2,160	\$10,654.00	\$289.00
XLDM3-610	K4F4T	1,440	32	24	18	36	2,580	\$12,196.00	\$361.00
XLDM3-612	K4F4T	1,080	24	18	13	36	3,170	\$13,399.00	\$430.00
XLDM3-614	K4F4T	780	17	13	10	36	3,660	\$13,646.00	\$506.00
XLDM3-616	K4F4T	600	13	10	7	36	4,120	\$15,645.00	\$582.00
XLDM3-88	K4F4T	1,920	43	32	24	36	2,720	\$12,795.00	\$361.00
XLDM3-810	K4F4T	1,080	24	18	14	36	3,279	\$14,793.00	\$490.00
XLDM3-812	K4F4T	900	20	15	11	36	3,730	\$16,158.00	\$582.00
XLDM3-814	K4F4T	900	20	15	11	36	4,280	\$17,681.00	\$637.00
XLDM3-816	K4F4T	780	17	13	10	36	4,570	\$19,077.00	\$667.00

Available OPTIONS
4-Pipe or 5-Pipe
Knife Edge or No Knife Edge
*No Foam (SUBTRACT Foam Price)
No Stack Pockets
Inboard Stack Pockets
Pulling Lugs (set of 2)
Cutouts & Doors
Choice of Paint Color

Stock Options CODE

N4N8: No Knife Edge, 4-Pipe, No Foam, 8 Stack Pockets
K4N4T: Knife Edge, 4-Pipe, No Foam, 4 Stack Pockets-Top of Sidewalls
K4F4T: Knife Edge, 4-Pipe, Foam, 4 Stack Pockets-Top of Sidewalls

Steel Trench Shield - Municipal Series

XLSM/XLDM 4 in Single/Double Wall

XLSM - 4 in. Single Wall Municipal Trench Shield								
Model (Ht. x Lg.)	Stock Options	Shield Capacity (PSF)	Depth of Cut (Ft.)			Pipe Cl. (In.)	Weight (Lbs.)	List Price
			B	C-60	C-80			
XLSM-46	N48	1,800	40	30	22	22	1,020	\$4,958.00
XLSM-48	N48	1,380	31	23	17	22	1,220	\$5,830.00
XLSM-410	N48	900	20	15	11	22	1,490	\$6,980.00
XLSM-412	N48	660	15	11	8	22	1,700	\$7,684.00
XLSM-414	N48	480	11	8	6	22	1,925	\$8,555.00
XLSM-416	N48	360	8	6	4	22	2,325	\$9,762.00
XLSM-66	K44T	1,320	29	22	16	36	1,390	\$7,095.00
XLSM-68	K44T	1,020	23	17	13	36	1,710	\$8,444.00
XLSM-610	K44T	840	19	14	10	36	2,080	\$9,899.00
XLSM-612	K44T	660	15	11	8	36	2,410	\$11,033.00
XLSM-614	K44T	480	11	8	6	36	2,800	\$12,336.00
XLSM-616	K44T	360	8	6	4	36	3,460	\$14,604.00
XLSM-86	K44T	1,320	29	22	16	36	1,670	\$7,557.00
XLSM-88	K44T	960	21	16	12	36	2,020	\$8,976.00
XLSM-810	K44T	720	16	12	9	36	2,490	\$10,466.00
XLSM-812	K44T	720	16	12	9	36	2,900	\$12,127.00
XLSM-814	K44T	540	12	9	7	36	3,600	\$12,432.00

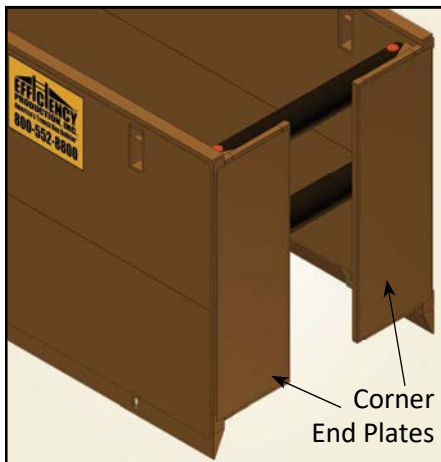
XLDM - 4 in. Double Wall Municipal Trench Shield									
Model (Ht. x Lg.)	Stock Options	Shield Capacity (PSF)	Depth of Cut (Ft.)			Pipe Cl. (In.)	Weight (Lbs.)	List Price	*Foam Fill
			B	C-60	C-80				
XLDM-46	N4F8	2,400	53	40	30	22	1,510	\$7,485.00	\$225.00
XLDM-48	N4F8	2,400	53	40	30	22	1,810	\$8,982.00	\$295.00
XLDM-410	N4F8	1,920	43	32	24	22	2,160	\$10,341.00	\$334.00
XLDM-412	N4F8	1,680	37	28	21	22	2,460	\$11,589.00	\$425.00
XLDM-414	N4F8	960	21	16	12	22	2,750	\$12,482.00	\$470.00
XLDM-416	N4F8	840	19	14	10	22	3,406	\$15,191.00	\$555.00
XLDM-66	K4F4T	2,400	53	40	30	36	1,950	\$9,200.00	\$267.00
XLDM-68	K4F4T	2,400	53	40	30	36	2,380	\$11,218.00	\$337.00
XLDM-610	K4F4T	2,400	53	40	30	36	2,890	\$13,149.00	\$430.00
XLDM-612	K4F4T	1,800	40	30	22	36	3,320	\$14,504.00	\$483.00
XLDM-614	K4F4T	1,320	29	22	16	36	3,740	\$15,724.00	\$582.00
XLDM-616	K4F4T	960	21	16	12	36	4,664	\$17,590.00	\$651.00
XLDM-86	K4F4T	2,400	53	40	30	36	2,450	\$11,382.00	\$309.00
XLDM-88	K4F4T	2,400	53	40	30	36	3,251	\$13,974.00	\$431.00
XLDM-810	K4F4T	2,400	53	40	30	36	3,600	\$15,565.00	\$559.00
XLDM-812	K4F4T	1,680	37	28	21	36	4,547	\$17,796.00	\$649.00
XLDM-814	K4F4T	1,680	37	28	21	36	4,920	\$19,491.00	\$688.00
XLDM-816	K4F4T	1,380	31	23	17	36	6,082	\$21,069.00	\$749.00

Available OPTIONS
4-Pipe or 5-Pipe
Knife Edge or No Knife Edge
*No Foam (SUBTRACT Foam Price)
No Stack Pockets
Inboard Stack Pockets
Pulling Lugs (set of 2)
Cutouts & Doors
Choice of Paint Color

Stock Options CODE

N4N8: No Knife Edge, 4-Pipe, No Foam, 8 Stack Pockets
K4N4T: Knife Edge, 4-Pipe, No Foam, 4 Stack Pockets-Top of Sidewalls
K4F4T: Knife Edge, 4-Pipe, Foam, 4 Stack Pockets-Top of Sidewalls

MHXLD-CEP - 4 in. Double Wall w/ Corner End Plates									
Model (Ht. x Lg.)	Stock Options	Shield Capacity (PSF)	Depth of Cut (Ft.)		Soil Type	Pipe Cl. (In.)	Weight (Lbs.)	List Price	*Foam Fill
			B	C-60	C-80				
MHXLD-CEP-48	N4F8I	2,520	56	42	31	22	2,605	\$10,420.00	\$271.00
MHXLD-CEP-410	N4F8I	2,280	51	38	28	22	2,965	\$12,534.00	\$322.00
MHXLD-CEP-412	N4F8I	1,920	43	32	24	22	3,400	\$13,945.00	\$411.00
MHXLD-CEP-414	N4F8I	1,200	27	20	15	22	3,755	\$14,932.00	\$437.00
MHXLD-CEP-416	N4F8I	1,200	27	20	15	22	4,145	\$15,609.00	\$539.00
MHXLD-CEP-68	K4F4I	2,400	54	40	30	41	3,050	\$11,782.00	\$330.00
MHXLD-CEP-610	K4F4I	2,400	54	40	30	41	3,530	\$16,451.00	\$411.00
MHXLD-CEP-612	K4F4I	1,800	40	30	22	41	3,920	\$18,823.00	\$463.00
MHXLD-CEP-614	K4F4I	1,320	29	22	16	41	4,310	\$19,971.00	\$537.00
MHXLD-CEP-616	K4F4I	960	21	16	12	41	4,780	\$21,296.00	\$621.00
MHXLD-CEP-88	K4F4I	2,220	49	37	28	52	5,600	\$17,858.00	\$425.00
MHXLD-CEP-810	K4F4I	1,980	44	33	25	52	5,740	\$19,921.00	\$545.00
MHXLD-CEP-812	K4F4I	1,680	37	28	21	52	6,760	\$23,250.00	\$627.00
MHXLD-CEP-814	K4F4I	1,440	32	24	18	52	7,470	\$25,009.00	\$657.00
MHXLD-CEP-816	K4F4I	1,320	29	22	16	52	8,150	\$26,979.00	\$723.00
MHXLD-CEP-108	K4F4I	2,220	45	37	28	52	5,860	\$22,021.00	\$524.00
MHXLD-CEP-1010	K4F4I	1,980	41	33	25	52	6,505	\$23,762.00	\$633.00
MHXLD-CEP-1012	K4F4I	1,680	35	28	21	52	7,500	\$26,568.00	\$704.00
MHXLD-CEP-1014	K4F4I	1,440	29	24	18	52	8,170	\$30,174.00	\$709.00
MHXLD-CEP-1016	K4F4I	1,320	27	22	16	52	9,270	\$33,415.00	\$853.00



MHXLD-CEP

Stock Options CODE

NF48I: No Knife Edge, 4-Pipe, Foam, 8 Stack Pockets-Inboard

K4F4I: No Knife Edge, 4-Pipe, Foam, 4 Stack Pockets-Inboard

Available OPTIONS

- 4-Pipe or 5-Pipe
- Knife Edge or No Knife Edge
- *No Foam (SUBTRACT Foam Price)
- No Stack Pockets
- Inboard Stack Pockets
- Pulling Lugs (set of 2)
- Cutouts & Doors
- Choice of Paint Color

MHXLSW/MHXLDW 4 in. Single/Double Wall

MHXLDW 4 in. Double Wall w/ Wrap-Around end plates										
Model (Ht. x Lg.)	Stock Options	Shield Capacity (PSF)	Depth of Cut (Ft.)		Soil Type		Pipe Cl. (In.)	Weight (Lbs.)	List Price	*Foam Fill
			B	C-60	C-80					
MHXLDW-48	N4F8I	1,320	29	22	16	22	2,950	\$13,396.00	\$302.00	
MHXLDW-410	N4F8I	1,320	29	22	16	22	3,350	\$14,894.00	\$343.00	
MHXLDW-412	N4F8I	1,320	29	22	16	22	4,340	\$16,307.00	\$438.00	
MHXLDW-414	N4F8I	1,320	29	22	16	22	4,005	\$16,448.00	\$483.00	
MHXLDW-416	N4F8I	1,320	29	22	16	22	4,395	\$18,192.00	\$578.00	
MHXLDW-68	N4F8I	1,320	29	22	16	41	3,425	\$16,830.00	\$343.00	
MHXLDW-610	N4F8I	1,320	29	22	16	41	3,905	\$18,426.00	\$438.00	
MHXLDW-612	N4F8I	1,320	29	22	16	41	4,295	\$21,187.00	\$492.00	
MHXLDW-614	N4F8I	1,320	29	22	16	41	4,685	\$22,185.00	\$601.00	
MHXLDW-616	N4F8I	1,320	29	22	16	41	5,155	\$24,232.00	\$664.00	
MHXLDW-88	K4F4I	1,320	29	22	16	52	5,170	\$20,263.00	\$435.00	
MHXLDW-810	K4F4I	1,320	29	22	16	52	5,840	\$22,528.00	\$571.00	
MHXLDW-812	K4F4I	1,320	29	22	16	52	6,860	\$26,066.00	\$655.00	
MHXLDW-814	K4F4I	1,320	29	22	16	52	7,300	\$27,923.00	\$695.00	
MHXLDW-816	K4F4I	1,320	29	22	16	52	7,990	\$30,272.00	\$763.00	
MHXLDW-108	K4F4I	1,320	29	22	16	52	7,120	\$26,108.00	\$585.00	
MHXLDW-1010	K4F4I	1,320	29	22	16	52	8,320	\$28,348.00	\$648.00	
MHXLDW-1012	K4F4I	1,320	29	22	16	52	8,730	\$31,462.00	\$718.00	
MHXLDW-1014	K4F4I	1,320	29	22	16	52	8,795	\$34,973.00	\$796.00	
MHXLDW-1016	K4F4I	1,320	29	22	16	52	9,895	\$38,707.00	\$866.00	



MHXLDW

Stock Options CODE

NF48I: No Knife Edge, 4-Pipe, Foam, 8 Stack Pockets-Inboard

K4F4I: Knife Edge, 4-Pipe, Foam, 4 Stack Pockets-Top-Inboard

Available OPTIONS

- 4-Pipe or 5-Pipe
- Knife Edge or No Knife Edge
- *No Foam (SUBTRACT Foam Price)
- No Stack Pockets
- Inboard Stack Pockets
- Pulling Lugs (set of 2)
- Cutouts & Doors
- Choice of Paint Color

Tap Box 4-Sided 4 in. Double Wall

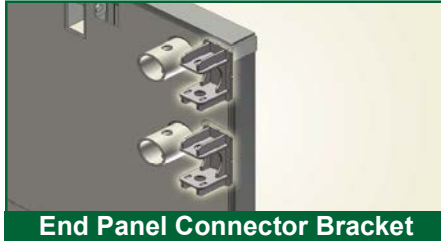
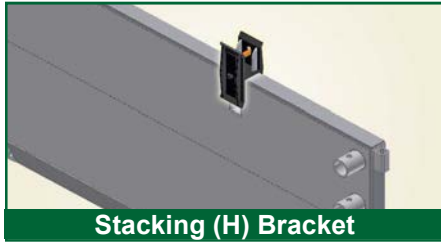
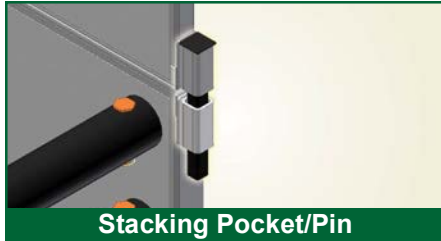


Call Efficiency Production Inside Sales Department for current pricing.
800-552-8800

Available OPTIONS

Knife Edge or No Knife Edge
No Foam
Stack Pockets
Cutouts & Doors
Choice of Paint Color

Steel Trench Shields



Stacking Hardware

Part Number	Description	Weight (Lbs.)	List Price
ACSSTP1	Stacking Pocket - Single	21	\$112.00
ACSSTP2	Stacking Pin - Single	13	\$112.00
ACS-STACK-4	Steel Shield Stacking (H) Bracket	170	\$936.00
ACS-STACK-6	Steel Shield Stacking (H) Bracket	170	\$971.00
ACS-STACK-8	Steel Shield Stacking (H) Bracket	180	\$1,025.00

End Panel Connector Brackets (OPTION)

Part Number	Descriptions	Weight (Lbs.)	List Price
7109500	Single Bracket	67	\$595.00

Pulling Lug (Single)

Part Number	Weight (Lbs.)	List Price
7109170	37	\$265.00

T-Connection Cutouts & Bolt-On Door Set of 2 (OPTION)

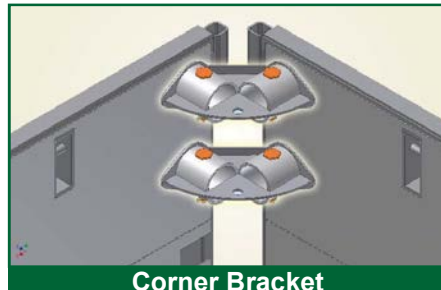
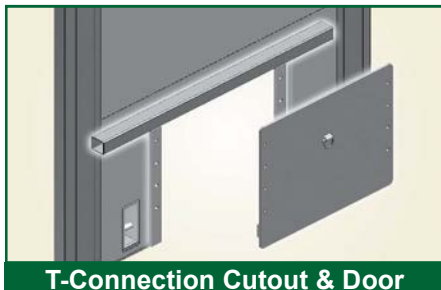
Item	Size	Size (In.)	Door Weight (Lbs.)	List Price
CUTOUT AND DOORS	16 x 18	16 x 16	100	\$2,452.00
CUTOUT AND DOORS	18 x 18	18 x 18	130	\$2,758.00
CUTOUT AND DOORS	24 x 24	24 x 24	200	\$3,276.00
CUTOUT AND DOORS	30 x 30	30 x 30	235	\$3,874.00
CUTOUT AND DOORS	32 x 32	32 x 32	267	\$4,132.00
CUTOUT AND DOORS	36 x 36	36 x 36	300	\$5,018.00

Corner Bracket - 8 required for 4-sided configuration

Part Number	Weight (Lbs.)	List Price
AC-CBKT-S-2	120	\$1,103.00

Collar Replacement Kit - 1 ea.

Part Number	Description	Weight (Lbs.)	List Price
AC-CR-XLD1PC1/2	Collar Replacement XLD 1PC w-2 1/2" holes	70	\$702.00
AC-CR-XLD1PC3/4	Collar Replacement XLD 1PC w-2 3/4" holes	42	\$702.00
AC-CR-HT6-1PC	Collar Replacement HT6 1PC	70	\$765.00
AC-CR-HT8-1PC	Collar Replacement HT8 1PC	110	\$808.00



Schedule Pipe, Mud Plate, Pins & Keepers

Spreader Pipe 4" Schedule 40		
Model	Weight (Lbs.)	List Price
SPXLS-24-1	30	\$231.00
SPXLS-30-1	35	\$246.00
SPXLS-36-1	40	\$253.00
SPXLS-42-1	45	\$266.00
SPXLS-48-1	50	\$280.00
SPXLS-54-1	55	\$312.00
SPXLS-60-1	62.5	\$341.00
SPXLS-72-1	72.5	\$354.00
SPXLS-84-1	82.5	\$434.00
SPXLS-96-1	92.5	\$478.00
SPXLS-108-1	100	\$514.00
SPXLS-120-1	117	\$569.00
SPXLS-144-1	140	\$722.00

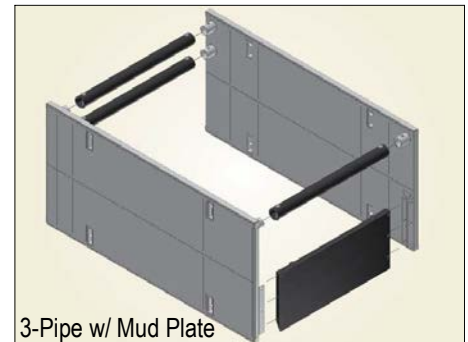
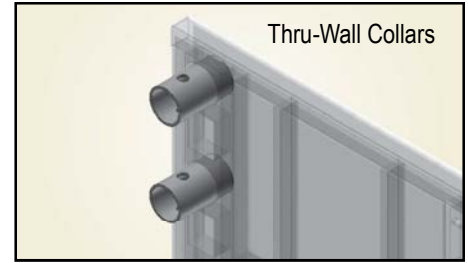
Utilized on 3¾ in. collar pipe

Spreader Pipe 6" Schedule 80		
Model	Weight (Lbs.)	List Price
SP6-24-1	105	\$402.00
SP6-30-1	84	\$424.00
SP6-36-1	98	\$454.00
SP6-42-1	115	\$499.00
SP6-48-1	127.5	\$505.00
SP6-54-1	144	\$534.00
SP6-60-1	155	\$558.00
SP6-72-1	185	\$611.00
SP6-84-1	212	\$662.00
SP6-96-1	240	\$818.00
SP6-108-1	270	\$766.00
SP6-120-1	298	\$818.00
SP6-144-1	354	\$923.00

Utilized on 5 in. collar pipe

Spreader Pipe 8" Schedule 80		
Model	Weight (Lbs.)	List Price
SP-24-1	105	\$392.00
SP-30-1	130	\$428.00
SP-36-1	148	\$456.00
SP-42-1	170	\$491.00
SP-48-1	192	\$520.00
SP-54-1	213	\$554.00
SP-60-1	235	\$582.00
SP-66-1	257	\$616.00
SP-72-1	278	\$611.00
SP-78-1	300	\$681.00
SP-84-1	322	\$708.00
SP-90-1	350	\$745.00
SP-96-1	365	\$771.00
SP-102-1	385	\$805.00
SP-108-1	426	\$836.00
SP-120-1	452	\$898.00
SP-132-1	495	\$962.00
SP-144-1	539	\$1,026.00
SP-156-1	582	\$1,088.00
SP-168-1	625	\$1,152.00
SP-180-1	669	\$1,213.00
SP-192-1	712	\$1,278.00
SP-204-1	754	\$1,342.00
SP-240-1	886	\$1,530.00

Utilized on 7 in. collar pipe

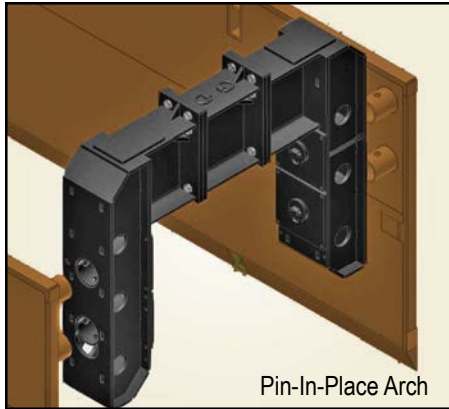


Mud Plate Only		
Model	Weight (Lbs.)	List Price
SPMPO-24	260	\$1,434.00
SPMPO-30	300	\$1,628.00
SPMPO-36	335	\$1,757.00
SPMPO-42	380	\$1,953.00
SPMPO-48	420	\$2,079.00
SPMPO-54	455	\$2,135.00
SPMPO-60	495	\$2,345.00
SPMPO-66	530	\$2,389.00
SPMPO-72	570	\$2,571.00
SPMPO-84	655	\$3,201.00
SPMPO-90	695	\$3,201.00
SPMPO-96	730	\$3,414.00
SPMPO-102	825	\$3,629.00
SPMPO-108	920	\$3,842.00
SPMPO-120	1,015	\$4,116.00
SPMPO-132	1,100	\$4,425.00
SPMPO-144	1,185	\$4,733.00

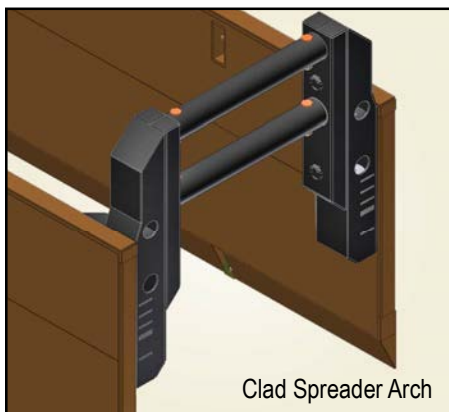
NOTE: Above pricing is for single spreader; Pins & Keepers INCLUDED.

Pins & Keepers			
Part Number	Description	Weight (Lbs.)	List Price
ACSSPP-1.875	Spreader pin with keeper, 1-7/8" pin for 8" Sch. 80 pipe	9	\$66.00
7109588-E	Spreader pin without keeper, 1-7/8" pin for 8" Sch. 80 pipe	9	\$63.00
7109530	Spreader pin, 1-7/8" x 8-1/4" for 6" Sch. 80 pipe	7	\$88.00
7109535	Spreader pin for 8" Pipe E - 2"x10.75	10	\$106.00
56113	HS Pin 1" Hitch Pin	2	\$25.00
56132	Keeper - old style diaper pin used for spreader pins larger than 2" diameter	< 1	\$9.00
56218	Keeper -Hairpin 1-1/2" for 7/8" Pins	< 1	\$4.00
80570	Keeper - Lynch pin 3/16"	< 1	\$2.00
56134	Keeper - Lynch pin 5/16"	< 1	\$5.00

Spreader Arches



Pin-In-Place Spreader Arch (Rated to 25 ft. C-60 Soil)		
Model	Weight (Lbs.)	List Price
ARCH-SP-25 (6' wide)	4,260	\$22,406.00
Extension (Ft.)		
ARCH-SP25-EXT1	333	\$2,410.00
ARCH-SP25-EXT2	650	\$3,110.00
ARCH-SP25-EXT3	650	\$3,952.00
ARCH-SP25-EXT4	1,060	\$4,275.00
ARCH-SP25-EXT5	1,150	\$4,642.00
ARCH-SP25-EXT6	1,350	\$5,178.00
ARCH-SP25-EXT7	1,550	\$5,884.00
ARCH-SP25-EXT8	1,750	\$6,528.00
ARCH-SP25-EXT9	1,950	\$7,356.00
ARCH-SP25-EXT10	2,150	\$7,846.00



Clad Spreader Arch		
Model	Weight (Lbs.)	List Price
ARCH-SP-CLADPHD	1,965	\$17,584.00

* 8" Schedule 80 spreader pipe used for Extensions; See Section 6.1

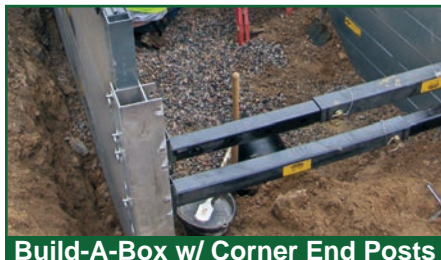
- Depth rating may be affected based on the size of shield.
- Vertical clearance equal to height of shield, i.e. 96 in. vertical clearance on 8 ft. high shield.

Call the factory with pipe diameter, soil conditions, and maximum depth requirements for quotations.

Modular Aluminum Shoring System



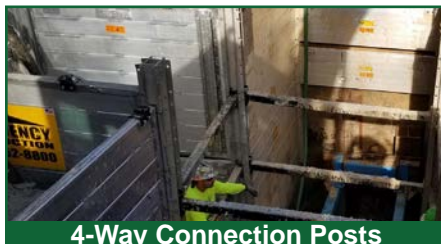
4-Sided Build-A-Box



Build-A-Box w/ Corner End Posts



3-Way Connection Post



4-Way Connection Posts



*Octagon Configuration
w/ 135° Corner Posts*

Panels 2 3/4" Thick Aluminum, Foam Filled (Standard), Lifting Lugs not included

Item	Model	Ht. x Lg. (In.)	Weight (Lbs.)	List Price
7529	BAB-2X2	24 x 24	33	\$651.00
7530	BAB-2X3	24 x 36	47	\$664.00
7531	BAB-2X4	24 x 48	60	\$788.00
7532	BAB-2X5	24 x 60	73	\$913.00
7533	BAB-2X6	24 x 72	86	\$1,029.00
7534	BAB-2X7	24 x 84	99	\$1,153.00
7535	BAB-2X8	24 x 96	112	\$1,272.00
7536	BAB-2X10	24 x 120	138	\$1,511.00
7537	BAB-2X12	24 x 144	164	\$1,738.00
7538	BAB-2X14	24 x 168	190	\$1,966.00
7539	BAB-2X16	24 x 192	335	\$2,945.00

Corner End Posts

Item	Model	Length (In.)	Weight (Lbs.)	Pins & Keep. (Qty.)	List Price
7520	BAB-C2-2	24	18	8	\$253.00
7521	BAB-C2-4	48	36	16	\$481.00
7522	BAB-C2-6	72	62.4	24	\$690.00
7523	BAB-C2-8	96	86	32	\$898.00
7524	BAB-C2-10	120	108	40	\$1,110.00
7545	BAB-C2-12	144	100	48	\$1,519.00

3-Way Connection Posts (T-Posts)

Item	Model	Length (In.)	Weight (Lbs.)	Pins & Keep. (Qty.)	List Price
7525	BAB-C3-2	24	24	12	\$322.00
7526	BAB-C3-4	48	49	24	\$549.00
7527	BAB-C3-6	72	70	36	\$791.00
7528	BAB-C3-8	96	91	48	\$961.00
7546	BAB-C3-10	120	116	60	\$1,168.00

4-Way Connection Posts

Model	Length (In.)	Weight (Lbs.)	Pins & Keepers (Qty.)	List Price
BBC4-24	24	35	16	\$654.00
BBC4-48	48	70	32	\$958.00
BBC4-72	72	104	48	\$1,178.00
BBC4-96	96	139	64	\$1,488.00
BBC4-120	120	174	80	\$2,041.00
BBC4-144	144	209	96	\$2,471.00

Octagon Configuration 135° Posts

Model	Length (In.)	Weight (Lbs.)	Pins & Keepers (Qty.)	List Price
BBC-OCT-24	24	22	8	\$371.00
BBC-OCT-36	36	33	12	\$505.00
BBC-OCT-48	48	44	16	\$706.00
BBC-OCT-60	60	55	18	\$864.00
BBC-OCT-72	72	66	24	\$1,001.00
BBC-OCT-84	84	77	28	\$1,129.00
BBC-OCT-96	96	88	32	\$1,278.00
BBC-OCT-120	120	110	40	\$1,542.00
BBC-OCT-144	144	132	48	\$1,854.00

Pins and Keepers

Part No.	Description	Weight (Lbs.)	List Price
82332	Panel Connector Pin 5/8" x 5"	1	\$13.00
80570	Keeper Only - 3/16" Lynch Pin	0.5	\$2.00
56137	Lift Bracket Pin - 3/4" x 4 5/8"	1	\$19.00
56112	Hitch Pin 1" x 4-1/4"	1.65	\$28.00

Modular Aluminum Shoring System



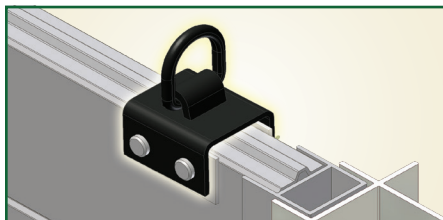
XL Adj. Steel Spreader*



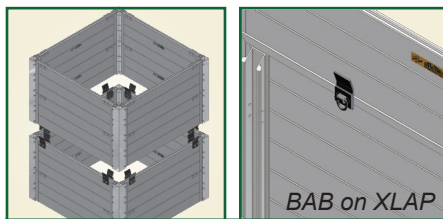
Arch Spreaders & Extensions



BAB Sheeting Guide Frame



Lifting Lug



Stacking Guide



Adjustable Leg Set

Spreaders - Single Adjustable Square Tube*
Includes Pins & Keepers

Item	Model	Operating Range (In.)	Weight (Lbs.)	List Price
7514	XL-2436-1	24 - 36	35	\$447.00
7515	XL-3660-1	36 - 60	47	\$479.00
7516	XL-4872-1	48 - 72	61	\$541.00
7570	XL-6096-1	60 - 96	76	\$582.00
7518	XL-72120-1	72 - 120	110	\$800.00
7519	XL-84144-1	84 - 144	132	\$920.00

Arch Spreaders and Extensions (Rated to 14 ft. C-60 Soil)

Model/Part No.	Description	Weight (Lbs.)	List Price
BBAC-ARCH64	72" (high) x 48"	630	\$4,938.00
BBAC-EXT2	24" Horiz. Extensions	117	\$919.00
BBAC-EXT3	36" Horiz. Extensions	142	\$1,188.00
BBAC-EXT4	48" Horiz. Extensions	175	\$1,323.00
BBAC-EXT5	60" Horiz. Extensions	183	\$1,483.00
BBAC-EXT6	72" Horiz. Extensions	250	\$1,618.00
BBAC-EXT7	84" Horiz. Extensions	280	\$1,736.00

Sheeting Guide Frame

Part No.	Description	Weight (Lbs.)	List Price
BBAC-GF-4	Sheeting Guide Frame - 4 ft.	129	\$2,409.00
BBAC-GF-5	Sheeting Guide Frame - 5 ft.	156	\$2,793.00
BBAC-GF-6	Sheeting Guide Frame - 6 ft.	182	\$3,097.00
BBAC-GF-8	Sheeting Guide Frame - 8 ft.	262	\$3,917.00
BBAC-GF-10	Sheeting Guide Frame - 10 ft.	449	\$5,699.00
BBAC-GF-FP	Guide Frame Filler Panel	17	\$610.00
BBAC-GF-SHEET-6	Aluminum Sheet with hole - 6 ft.	32	\$356.00
BBAC-GF-SHEET-6-1PC	Aluminum Sheet with One-Piece Cap and Handle- 6 ft.	33	\$426.00
BBAC-GF-SHEET-8-PC	Aluminum Sheet with hole - 8 ft.	36	\$407.00
BBAC-GF-SHEET-8-1PC	Aluminum Sheet with One-Piece Cap and Handle- 8 ft.	37	\$487.00
BBAC-GF-PUSHCAP	Cap for Guide Frame Sheet	2	\$99.00

Accessories

Part No.	Description	Weight (Lbs.)	List Price
7540	Lifting Eye, 4 Brackets/Set	25	\$515.00
BBAC-NS-3	Nylon Lifting Sling - 3' Legs	5	\$499.00
BBAC-NS-4	Nylon Lifting Sling - 4' Legs	5	\$513.00
BBAC-NS-5	Nylon Lifting Sling - 5' Legs	5	\$527.00
BBAC-NS-6	Nylon Lifting Sling - 6' Legs	7.5	\$545.00
BBAC-NS-8	Nylon Lifting Sling - 8' Legs	5	\$569.00
BBAC-NS-10	Nylon Lifting Sling - 10' Legs	10	\$600.00
7544	BAB Stacking Guide, 4/Set	48	\$1,072.00
7541	BAB/ACP Adj. Legs, 4/Set	68	\$718.00
BBAC-WK	Wheel Kit	360	\$5,338.00



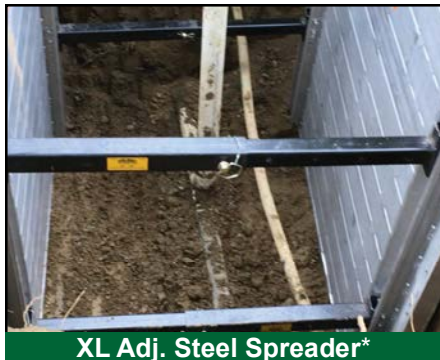
Works with all size XL-Spreaders

Wheel Kit

XLAP™ Aluminum Trench Shield



Two-Sided XLAP



XL Adj. Steel Spreader*



Spreader Adapter

OTHER SIZES UPON REQUEST

- Foam Filled (Standard)
- 4 Lifting Lugs (Standard)
- 2 Lifting Lugs (Standard)
- Flat Bottom (Standard)
- Knife Edge (Optional)

3 In. Aluminum Double Wall (8 In. Extrusion)

Model (Ht. x Lg.)	Depth of Cut		Weight (Lbs.)	List Price
	C-60	C-80		
XLAP-46	40	30	574	\$6,248.00
XLAP-48	29	22	620	\$7,242.00
XLAP-410	19	14	740	\$8,320.00
XLAP-412	14	11	820	\$9,685.00
XLAP-414	10	8	940	\$10,872.00
XLAP-416	8	6	1,289	\$12,467.00
XLAP-66	30	23	764	\$7,698.00
XLAP-68	24	18	880	\$9,252.00
XLAP-610	17	13	1,030	\$10,748.00
XLAP-612	14	11	1,425	\$12,090.00
XLAP-614	11	8	1,360	\$12,751.00
XLAP-616	8	6	1,530	\$14,366.00
XLAP-86	30	23	930	\$9,534.00
XLAP-88	24	18	1,150	\$10,870.00
XLAP-810	17	13	1,340	\$12,681.00
XLAP-812	14	11	1,590	\$14,310.00
XLAP-814	12	9	1,830	\$16,080.00
XLAP-816	8	6	2,050	\$18,002.00
XLAP-108	20	15	1,430	\$14,369.00
XLAP-1010	16	12	1,650	\$15,826.00
XLAP-1012	14	11	2,233	\$18,136.00
XLAP-1014	11	8	2,190	\$19,066.00
XLAP-1016	8	6	2,969	\$21,483.00

Spreaders - Single Adjustable Square Tube*

Includes Pins & Keepers

Item	Model	Operating Range (In.)	Weight (Lbs.)	List Price
7514	XL-2436-1	24 - 36	35	\$447.02
7515	XL-3660-1	36 - 60	47	\$478.95
7516	XL-4872-1	48 - 72	61	\$540.75
7570	XL-6096-1	60 - 96	76	\$581.95
7518	XL-72120-1	72 - 120	110	\$800.31
7519	XL-84144-1	84 - 144	132	\$919.79

Spreader Adaptors

Part No.	Description	Weight (Lbs.)	List Price
ADP-XLS-1	Adapter (Single) - XLAP to XLS Spreader	16.25	\$315.00
ADP-XLAP-6	Adapter (Single) - XLAP to 6" SCH. 80 Spreaders	84	\$315.00

Pins and Keepers

Part No.	Description	Weight (Lbs.)	List Price
82332	Panel Connector Pin 5/8" x 5"	1	\$10.00
56112	XLAP Spreader Adjustment Pin & Keeper 1 x 41/4"	1.65	\$29.00
56137	XLAP Lift Lug - Pull Lug Pin 3/4" x 4 5/8"	< 1	\$19.00
80570	Keeper - Lynch pin 3/16"	< 1	\$2.00

XLAP/Build-A-Box Accessories

See Page 17



*XLAP Aluminum Shield
with Steel Frame*

Standard FEATURES

- Foam Filled
- Flat Bottom
- XL Spreader Pockets

Available OPTIONS

- 5" or 7" Spreader Collars
- Knife Edge
- Stack Pockets
- Cutouts & Doors

3 In. Aluminum Double Wall with Steel Wrap Around Frame

Model (Ht. x Lg.)	Depth of Cut		Weight (Lbs.)	List Price
	C-60	C-80		
XLAP-SF-46	40	30	895	Call for Pricing 800-552-8800
XLAP-SF-48	29	22	1,095	
XLAP-SF-410	19	14	1,290	
XLAP-SF-412	14	10	1,600	
XLAP-SF-414	10	7	1,690	
XLAP-SF-416	8	6	2,100	
XLAP-SF-66	26	19	1,200	
XLAP-SF-68	20	15	1,440	
XLAP-SF-610	16	12	1,816	
XLAP-SF-612	12	9	1,945	
XLAP-SF-614	9	7	2,195	
XLAP-SF-616	8	6	2,450	
XLAP-SF-86	26	19	1,495	
XLAP-SF-88	20	15	2,250	
XLAP-SF-810	16	12	2,099	
XLAP-SF-812	13	10	2,631	
XLAP-SF-814	10	7	2,939	
XLAP-SF-816	8	6	3,343	
XLAP-SF-108	18	13	2,140	
XLAP-SF-1010	15	11	2,495	
XLAP-SF-1012	14	10	2,850	
XLAP-SF-1014	11	8	3,200	
XLAP-SF-1016	8	6	3,550	

Spreaders - Single Adjustable Square Tube*

Includes Pins & Keepers

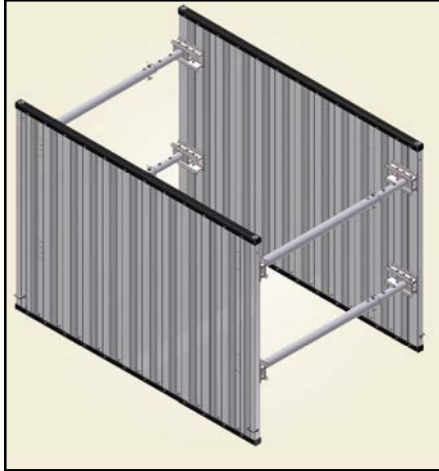
Item	Model	Operating Range (In.)	Weight (Lbs.)	List Price
7514	XL-2436-1	24 - 36	35	\$447.02
7515	XL-3660-1	36 - 60	47	\$478.95
7516	XL-4872-1	48 - 72	61	\$540.75
7570	XL-6096-1	60 - 96	76	\$581.95
7518	XL-72120-1	72 - 120	110	\$800.31
7519	XL-84144-1	84 - 144	132	\$919.79

Spreader Adaptors

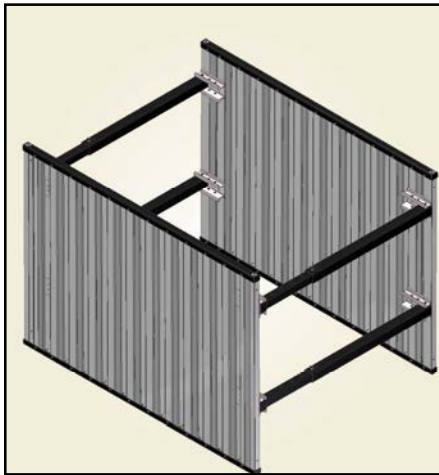
See Page 18

Pins and Keepers

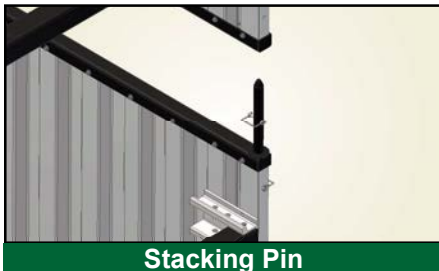
See Page 18



Corru-Lite w/ Aluminum Adjustable Spreaders



Corru-Lite w/ Steel Adjustable Spreaders



Stacking Pin



Adjustable Legs

Corrugated Aluminum Static Utility Shield

Model (Ht. x Lg.)	Depth of Cut		Weight (Lbs.)	List Price
	C-60	C-80		
CL-24	11	8	110	\$2,391.00
CL-26	9	7	137	\$3,035.00
CL-27	8	6	157	\$3,303.00
CL-28	8	6	180	\$3,640.00
CL-210	7	5	220	\$4,270.00
CL-212	6	4	265	\$4,876.00
CL-44	11	8	156	\$3,948.00
CL-45	11	8	184	\$4,401.00
CL-46	9	7	212	\$4,803.00
CL-48	8	6	260	\$5,219.00
CL-410	7	5	350	\$6,316.00
CL-412	6	4	380	\$7,159.00
CL-56	9	7	275	\$5,365.00
CL-66	9	7	354	\$5,886.00
CL-68	6	5	390	\$7,184.00

Spreaders - Aluminum Adjustable (Single)

Includes Pins & Keepers

Model	Length (In.)	Weight (Lbs.)	List Price
CLSPA-1727-1	17 - 27	15	\$317.00
CLSPA-2236-1	22 - 36	17	\$339.00
CLSPA-2846-1	28 - 46	19	\$387.00
CLSPA-3455-1	34 - 55	21	\$408.00
CLSPA-4269-1	42 - 69	23	\$440.00
CLSPA-5288-1	52 - 88	27	\$494.00

Spreaders - Steel Adjustable (Single)

Includes Pins & Keepers

Model	Length (In.)	Weight (Lbs.)	List Price
CLSP-1727-1	17 - 27	17.5	\$208.00
CLSP-2236-1	22 - 36	20	\$312.00
CLSP-2846-1	28 - 46	25	\$354.00
CLSP-3455-1	34 - 55	30	\$386.00
CLSP-4269-1	42 - 69	43	\$421.00
CLSP-5288-1	52 - 88	50	\$489.00

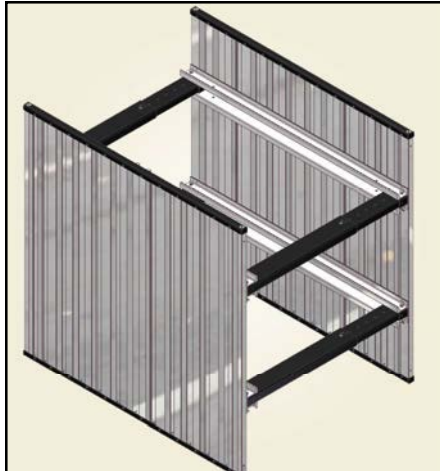
Accessories

Part No.	Description	Weight (Lbs.)	List Price
CL-STP-1	Stacking Pin Single	10	\$104.00
CL-ADJ-LEG-1	Adjustable Leg (single)	6	\$129.00
82332	Hitch Pin 5/8" x 5 1/8"	< 1	\$10.00
56118	Spreader Adjustment Pin 3/4" x 4" w/ chain & keeper	1	\$27.00
80570	Keeper - Lynch pin 3/16"	< 1	\$2.06

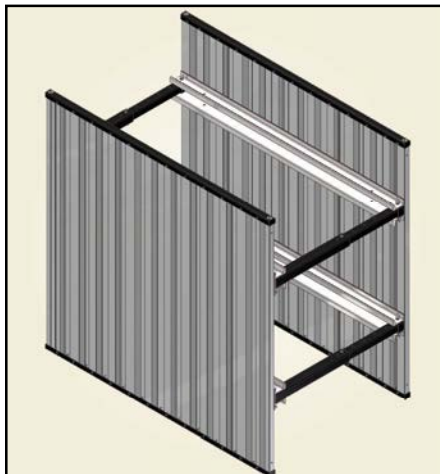
End Panel Kit

Model/Part No.	Length (In.)	Height (ft.)	Weight (Lbs.)	List Price
QBEK36EP6	24 - 36	6	116	See Page 21
QBEK36EP8	24 - 36	8	134	
QBEK60EP6	36 - 60	6	190	
QBEK60EP8	36 - 60	8	210	
QBEK72EP6	48 - 72	6	216	
QBEK72EP8	48 - 72	8	260	
QBEK96EP6	60 - 96	6	325	
QBEK96EP8	60 - 96	8	340	

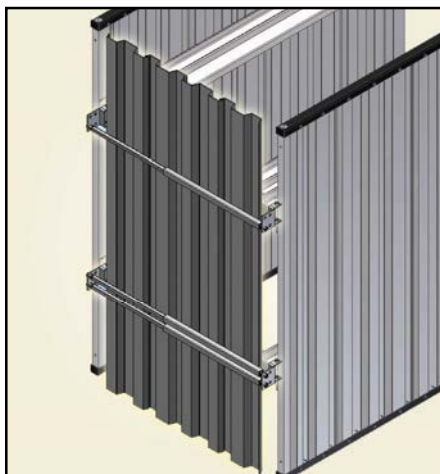
Alum-A-Shield™ (Static)



Alum-A-Shield w/ Static QuickBraces



Alum-A-Shield w/ Static Adjustable Spreaders



Alum-A-Shield with End Panel

Corrugated Aluminum Static Utility Shield

Model (Ht. x Lg.)	Depth of Cut		Weight (Lbs.)	List Price
	C-60	C-80		
AS46	20	15	585	\$6,797.00
AS48	20	15	770	\$9,205.00
AS410	17	13	965	\$9,205.00
AS412	11	8	1,160	\$10,156.00
AS66	20	15	698	\$7,775.00
AS68	20	15	924	\$9,180.00
AS610	17	13	1,149	\$10,909.00
AS612	11	8	1,350	\$12,944.00
AS86	20	15	798	\$8,375.00
AS88	20	15	1,055	\$10,905.00
AS810	17	13	1,311	\$12,443.00
AS812	11	8	1,600	\$14,798.00
AS106	20	15	1,035	\$11,601.00
AS108	20	15	1,170	\$12,900.00
AS1010	17	13	1,460	\$15,094.00
AS1012	11	8	1,740	\$17,221.00

QuickBraces - Static Adjustable Includes Pins & Keepers

Model	Length (In.)	Weight (Lbs.)	List Price
QBS2236	22 - 36	39	\$562.00
QBS2846	28 - 46	56	\$582.00
QBS3455	34 - 55	73	\$611.00
QBS5288	52 - 88	114	\$708.00
QBS109	73 - 109	158	\$1,008.00
QBS130	94 - 130	182	\$1,203.00
QBS144	108 - 144	200	\$1,332.00

Spreaders - Static Adjustable Includes Pins & Keepers

Model	Length (In.)	Weight (Lbs.)	List Price
ASPDRT27	17 - 27	20	216.00
ASPDRT36	22 - 36	25	320.00
ASPDRT46	28 - 46	30	365.00
ASPDRT55	34 - 55	35	399.00
ASPDRT88	52 - 88	47	517.00

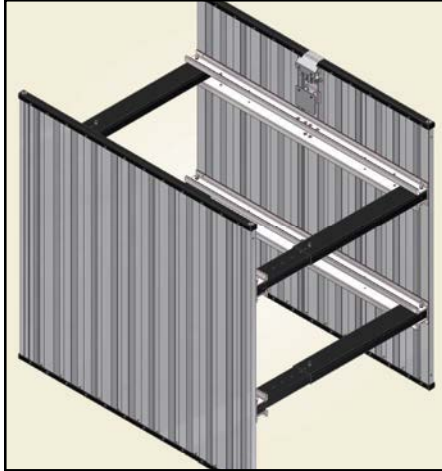
QuickBraces - Pins & Keepers

Part No.	Description	Weight	List Price
56118	Spreader Adjustment Pin 3/4" x 4" w/ chain & keeper	1	\$27.00
80570	Keeper - Lynch pin 3/16"	< 1	\$2.00
56175	Quickbrace Connecting Pin (1 ea.)	1	\$19.00

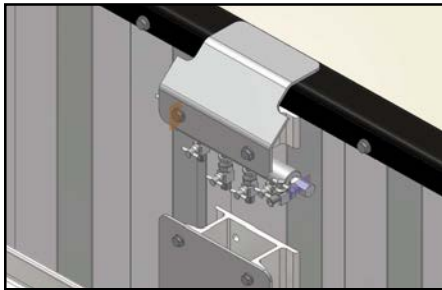
End Panel Kit - Includes Brackets and Aluminum Sheets

Model	Length (In.)	Height (ft.)	Weight (Lbs.)	List Price
QBEK36EP6	24 - 36	6	116	1,723.00
QBEK36EP8	24 - 36	8	134	\$1,764.00
QBEK60EP6	36 - 60	6	190	\$1,916.00
QBEK60EP8	36 - 60	8	210	\$1,957.00
QBEK72EP6	48 - 72	6	216	\$2,315.00
QBEK72EP8	48 - 72	8	260	\$2,357.00
QBEK96EP6	60 - 96	6	325	\$2,466.00
QBEK96EP8	60 - 96	8	340	\$2,756.00

Alum-A-Shield™ (Hydraulic)



Alum-A-Shield w/ Hydraulic QuickBraces



Close Up - Manifold on Shield

Corrugated Aluminum Hydraulic Utility Shield

Model (Ht. x Lg.)	Depth of Cut		Weight (Lbs.)	List Price
	C-60	C-80		
AH46	21	16	610	\$8,657.00
AH48	21	16	800	\$10,169.00
AH410	18	14	1,000	\$11,053.00
AH412	12	9	1,200	\$12,016.00
AH66	21	16	715	\$9,825.00
AH68	21	16	940	\$11,216.00
AH610	18	14	1,165	\$12,930.00
AH612	12	9	1,390	\$14,994.00
AH86	21	16	815	\$10,235.00
AH88	21	16	1,070	\$12,777.00
AH810	18	14	1,330	\$14,304.00
AH812	12	9	1,640	\$16,646.00
AH106	21	16	1,060	\$13,461.00
AH108	21	16	1,200	\$14,678.00
AH1010	18	14	1,495	\$16,953.00
AH1012	12	9	1,780	\$19,107.00

QuickBraces - Hydraulic Includes Pins & Keepers

Model	Length (In.)	Weight (Lbs.)	List Price
QBH2236-1	22 - 36	53	\$1,105.00
QBH2846-1	28 - 46	70	\$1,312.00
QBH3455-1	34 - 55	90	\$1,445.00
QBH4064-1	40 - 64	110	\$1,476.00
QBH5288-1	52 - 88	137	\$1,667.00
QBH73109-1	73 - 109	181	\$1,815.00
QBH76112-1	76 - 112	193	\$1,888.00
QBH94130-1	94 - 130	205	\$1,904.00
QBH108144-1	108 - 144	223	\$2,079.00

QuickBraces - Pins & Keepers

See Page 21

End Panel Kit

See Section Pag 21

MINI Stone Mizer with Lift Bar

- Designed for smaller excavators
- 3/16" plate on sides and ends
- 3/8" plate on bottom

Model Capacity (Yds.)	Ht. x I.D. x Lg. (In.)	Weight (Lbs.)	List Price
MSM-3-D	30 x 48 x 120	2,200	\$11,970.00

Standard with Lift Bar

- Order with single or double taper
- 1/4 in. plate sides and ends
- 1/2 in. plate bottom
- Clearance between lifting bar and Stone Mizer is 24 in.
- 1/2 x 4 in. wear bar on bottom plate - inside and outside

Model Capacity (Yds.)	Ht. x I.D. x Lg. (In.)	Weight (Lbs.)	List Price
SM-5-D	36 x 60 x 140	4,210	\$14,544.00
SM-7.5-D	48 x 60 x 162	4,820	\$15,787.00
SM-9-D	48 x 60 x 186	5,490	\$18,465.00
SM-10-D	48 x 60 x 204	6,350	\$21,072.00
SM-12-D	48 x 70 x 210	7,040	\$23,058.00

Heavy Duty with Lift Bar

- Order with single or double taper
- 3/8 in. plate sides
- 1/2 in. plate ends and bottom
- Clearance between lifting bar and Stone Mizer is 24 in.
- 1/2 x 4 in. wear bar on bottom plate - inside and outside

Model Capacity (Yds.)	Ht. x I.D. x Lg. (In.)	Weight (Lbs.)	List Price
SMHD-5-D	36 x 60 x 140	5,210	\$17,183.00
SMHD-7.5-D	48 x 60 x 162	6,120	\$19,874.00
SMHD-9-D	48 x 60 x 186	6,890	\$22,071.00
SMHD-10-D	48 x 60 x 204	7,820	\$25,033.00
SMHD-12-D	48 x 70 x 210	8,590	\$27,119.00

Extended Width Standard & Heavy Duty with Lift Bar

- 1/2 in. plate on ends and bottom, and 3/8 in. on sides
- 1/2 x 4 in. wear bar on bottom plate - inside and outside
- Substantially wider than Standard or Heavy Duty
- Designed for oversize buckets

Model Capacity (Yds.)	Ht. x I.D. x Lg. (In.)	Weight (Lbs.)	List Price
SMEW-9-D	47 x 75 x 157	5,620	\$20,073.00
SMEW-10-D	48 x 83 x 158	6,530	\$22,731.00
SMEWHD-9-D	48 x 75 x 157	6,850	\$22,851.00
SMEWHD-10-D	48 x 83 x 158	7,540	\$23,645.00
SMEWHD-12-D	48 x 83 x 181	8,430	\$26,087.00
SMEWHD-15-D	60 x 86 x 188	9,600	\$29,875.00
SMEWHD-18-D	60 x 90.5 x 207	10,240	\$32,776.00
SMEWHD-20-D	60 x 90.5 x 224	11,070	\$44,370.00

Extended Width Severe Duty with Lift Bar

- 3/4" plate ends & bottom, 1/2" sides
- 1/2" x 4" wear bar on bottom plate - inside and outside
- Designed for excavators 40,000 pounds or more

Model Capacity (Yds.)	Ht. x I.D. x Lg. (In.)	Weight (Lbs.)	List Price
SMEWSD-15-D	60 x 86 x 188	12,430	\$38,953.00
SMEWSD-18-D	60 x 90.5 x 207	13,390	\$41,436.00
SMEWSD-20-D	60 x 90.5 x 224	14,600	\$48,493.00



Stone Mizer 5 cu. yd. (SM-5)



Stone Mizer 7.5 cu. yd. (SM-7.5)



Stone Mizer 9 cu. yd. (SM-9)

Standard with Lift Bar

STANDARD UNIT INCLUDES

- 1/4" Side Plates
- 1/2" Bottom & Ends

Model	Ht x Wt (I.D.) x Lg (I.D.) (In.)	Capacity	Weight (Lbs.)	List Price
SS - 3	36 x 48 x 103	3 YDS	3,100	\$10,350.00
SS - 5	36 x 63 x 116	5 YDS	4,100	\$12,622.00
SS - 7	48 x 63 x 143	7 YDS	5,000	\$14,362.00
SS - 9	48 x 63 x 164	9 YDS	5,400	\$16,049.00
SS - 12	48 x 75 x 183	12 YDS	6,400	\$19,402.00
SS - 15	48 x 75 x 222	15 YDS	7,200	\$21,219.00

Heavy Duty with Lift Bar

HEAVY DUTY UNIT INCLUDES

- 3/8" Side Plate
- 1/2" Bottom & Ends
- Full Length Wear Bars
- Tube Stiffeners on Ends
- Extra Heavy Push Pull Arms

Model	Ht x Wt (I.D.) x Lg (I.D.) (In.)	Capacity	Weight (Lbs.)	List Price
SSH - 5	36 x 63 x 116	5 YDS	4,830	\$13,584.00
SSH - 7	48 x 63 x 143	7 YDS	6,130	\$16,785.00
SSH - 9	48 x 63 x 164	9 YDS	6,650	\$20,311.00
SSH - 12	48 x 75 x 183	12 YDS	7,840	\$25,004.00
SSH - 15	48 x 75 x 222	15 YDS	8,740	\$25,675.00
SSH - 18	60 x 81 x 219	18 YDS	9,640	\$28,303.00
SSH - 20	60 x 81 x 239	20 YDS	10,440	\$30,909.00

Extended Width Standard & Heavy Duty with Lift Bar

Model	Ht x Wt (I.D.) x Lg (I.D.) (In.)	Capacity	Weight (Lbs.)	List Price
SSHW - 9	48 x 75 x 146	9 YDS	6,725	\$22,326.00
SSHW - 12	48 x 87 x 164	12 YDS	7,730	\$24,983.00
SSHW - 15	48 x 87 x 195	15 YDS	8,510	\$26,879.00
SSHW - 18	60 x 87 x 201	18 YDS	9,620	\$30,683.00
SSHW - 20	60 x 87 x 220	20 YDS	10,300	\$34,574.00

FEATURES

- One Piece Bottom Plate
- Bottom and Ends formed from one continuous 1/2" Plate (9 yd & smaller)
- Rounded Front and Back eliminates "Plowing" (9 yd & smaller)
- Eliminates welded seams & sharp edges
- Lower Pull Eyes for easier towing

Available OPTIONS

- Stone Miser-style 1/2" x 4" wear bar on outside bottom plate



Standard Unit



Heavy Duty Unit

Machine Match-Up			
Machine Size (Lbs.)	Example Machines		Stone Mizer
Up To 35,000	Komatsu PC120	CAT 314C-315C	5 Yard
35,000 - 55,000	Komatsu PC200-PC220LC	CAT 318C-320C	7.5 Yard
55,000 - 75,000	Komatsu PC270-PC300LC	CAT 325D	9 Yard
75,000 - 90,000	Komatsu PC300HD	CAT 330D	10 Yard
90,000 - 120,000	Komatsu PC400	CAT 345C	12 Yard
120,000 - 140,000	Komatsu PC600	CAT 350L	15 Yard
140,000 - 170,000	Komatsu PC650	CAT 365C	20 Yard
170,000 - And Up	Komatsu PC800	CAT 385C	Custom Sizes

Notes:

- The Stone Mizer should hold a minimum of approximately 4 buckets, large enough to make 1 complete cut or cycle.
- The inside dimension of the Mizer should be at least 12" wider than the excavator bucket. Make sure to take into consideration whether or not the bucket has side cutters installed on it.
- If you are between sizes and are not sure, go to the next larger size.
- Use heavy duty models for rip-rap stone (Stone the size of a baseball or larger).
- Heavy duty designs are available in all sizes and should be strongly considered for machines over 90,000#.



Hi-Hopper™ Overhead Bedding Material Dispenser

Standard					
Model	Top Dimension	Load Height	Gate Size	Weight	List Price
Capacity (Yds.)	Inside (In.)	(In.)	(In.)	(Lbs.)	
HHS-1.5	25 x 96	68	12 x 25	1,180	\$11,607.00
HHS-2	34 x 96	68	12 x 34	1,200	\$10,824.00
HHS-2.5	38 x 108	68	12 x 38	1,500	\$11,140.00
Heavy Duty					
Model	Top Dimension	Load Height	Gate Size	Weight	List Price
Capacity (Yds.)	Inside (In.)	(In.)	(In.)	(Lbs.)	
HHD-2.5	25 x 96	73	16 x 44	2,100	\$16,082.00
HHD-3	54 x 108	75	16 x 44	2,300	\$16,682.00
HHD-4	60 x 108	87	16 x 44	2,800	\$24,251.00
Extension (Fold up wings extend to opening 24 in.)					
Model				Weight	List Price
HHS-WG				150	\$2,163.00



Hi-Hopper - Standard

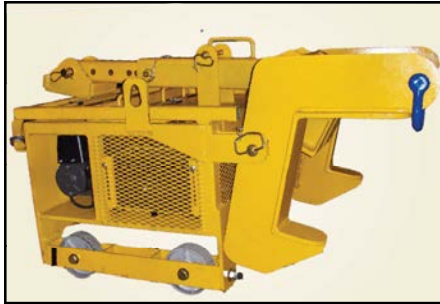


Hi-Hopper - Heavy Duty

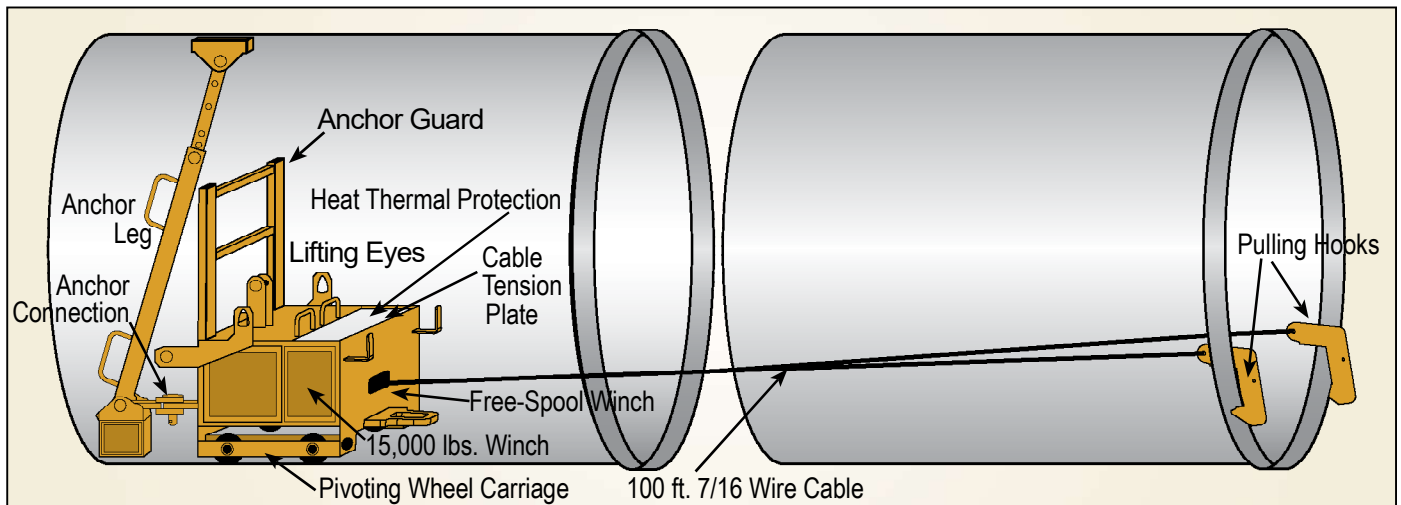


Hi-Hopper in Use

Pipe Puller



Part No.	Description	Weight (Lbs.)	List Price
Pipepuller-V2	Pipe Puller - V2	1,165	\$25,164.00
23528	*Pipe Puller Wire Rope 7/16" x 100'	37	\$416.00
23531	*Winch Control Cable w/ Pendant	3	\$524.00
23536	*Bridle 3/4" X 7'	41	\$578.00
23560	*Pipe Puller Leg Upper 20"	12	\$525.00
23561	*Pipe Puller Leg 20"	11	\$525.00
23562	*Pipe Puller Leg 40"	24	\$547.00
23563	*Pipe Puller Leg Lower 40"	23	\$547.00
23565	*Pipe Puller Leg Inner 68"	39	\$575.00
23600	HD Pipe Puller Leg 96"	68	\$1,011.00
23603	HD Pipe Puller Leg 102"	96	\$1,046.00
23605	HD Pipe Puller Leg 108"	102	\$1,083.00
23610	HD Pipe Puller Leg 120"	182	\$1,144.00
23615	HD Pipe Puller Leg 132"	125	\$1,173.00
23620	HD Pipe Puller Leg 144"	140	\$1,213.00
23630	*Battery Charger 6/12 Volt	5	\$344.00
23529-S	*SuperWinch Snatch Block - Single 6"	12	\$524.00
23625-S	*SuperWinch Snatch Block - Double 6"	12	\$3,585.00
*Included			



Features

- Anchor Legs** - Unit includes standard-duty anchor legs with 42-108 in. pipe capacity; heavy-duty anchor legs available for large pipe or box culvert.
- Anchor Guard** - Protects unit from damage from an unsecured anchor.
- Lifting Eyes** - For easy installation of Pipe Puller into excavation.
- Heat Thermal Protection** - Temperature device designed to prevent burnout of the winch's electric motor.
- Cable Tension Plate** - Aids in securing wire rope on drum; keeping slack out of wire rope which adds to the cable's life.
- Free-Spool Winch** - Enables cable to be extended through pipe freely without using battery.
- Anchor Connection** - Secure connector to anchor foot allows for better stability.
- Frame Enclosure** - Metal enclosed sides and hinges protect inner workings from damage.
- Heavy-Duty Winch** - Special electric DC winch enable efficient pulls from longer distances than competitive pullers.
- Pivoting Wheel Carriage** - Fits the curvature of the pipe, enabling Pipe Puller to be self-moving. Allows laser shot underneath unit.
- 100 ft. 7/16 Wire Cable** - Set several pipe or culvert sections before moving the unit forward. Can be multiple reeved through snatch blocks for heavier tugs.
- Pulling Hooks** - Heavy-duty steel pulling hooks fit snugly on the bell of the pipe or culvert. For large diameter applications, **Pulling Beams** are available in a variety of lengths.

Fall Protection by BTrenchSafe (BTS)

Extendable Walkway & Ladder Access Platform

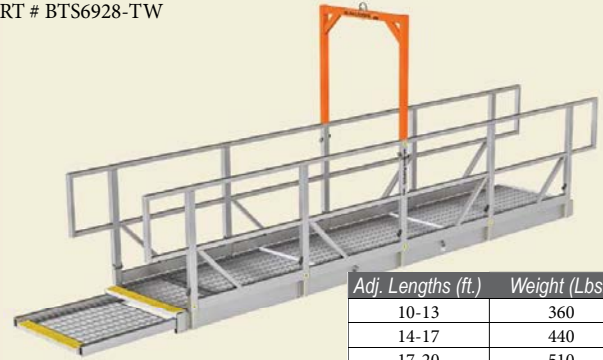
PART # BTS6928-LP-TW



Adj. Lengths	Weight
4-7 ft.	221 Lbs.

Compatible Telescopic Walkway

PART # BTS6928-TW



Adj. Lengths (ft.)	Weight (Lbs.)
10-13	360
14-17	440
17-20	510

Guard Rail and Platform

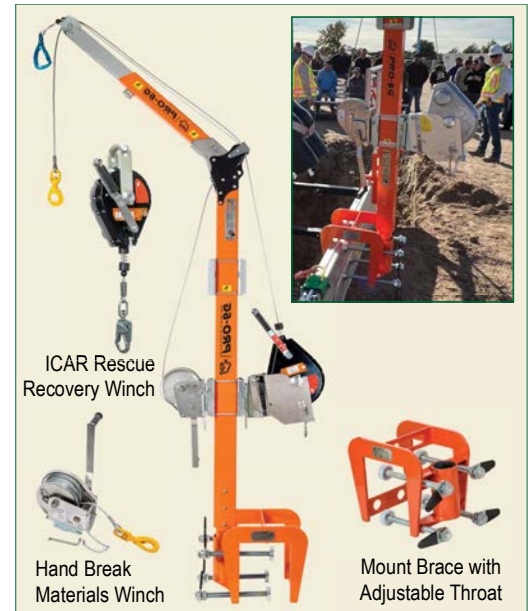
Part Number	Description	Length	Weight (Lbs.)	List Price
BTS6928-LP-TW	Extendable Walkway & Ladder Platform	4-7'	221	\$16,070.00
BTS6928-TW10/13	Telescopic Walkway; Adj Lengths 10-13'	10-13'	360	\$26,079.00
BTS6928-TW14/17	Telescopic Walkway; Adj Lengths 14-17'	14-17'	440	\$39,120.00
BTS6928-TW17/20	Telescopic Walkway; Adj Lengths 17-20'	17-20'	510	\$43,161.00
BTS6000-4	Clamping Guardrail	4' 4"	25	\$686.00
BTS6000-6	Clamping Guardrail	6' 6"	30	\$758.00
BTS6000-8	Clamping Guardrail	7' 10"	33	\$877.00
BTS6000-10	Clamping Guardrail	9' 10"	44	\$943.00
BTS6000-12	Clamping Guardrail	11' 5"	46	\$976.00
BTS6000-13	Clamping Guardrail	13" 1.5"	48	\$1,029.00
BTS600-4-ST	Storage Rack Holder - 25 pcs.		170	\$1,320.00
BTS50506-KIT	Davit Arm Kit		290	\$13,033.00

Adjustable Clamping Guardrail PART # BTS6000



Aluminum Manbridge

PART # BTS50506-KIT Davit Arm



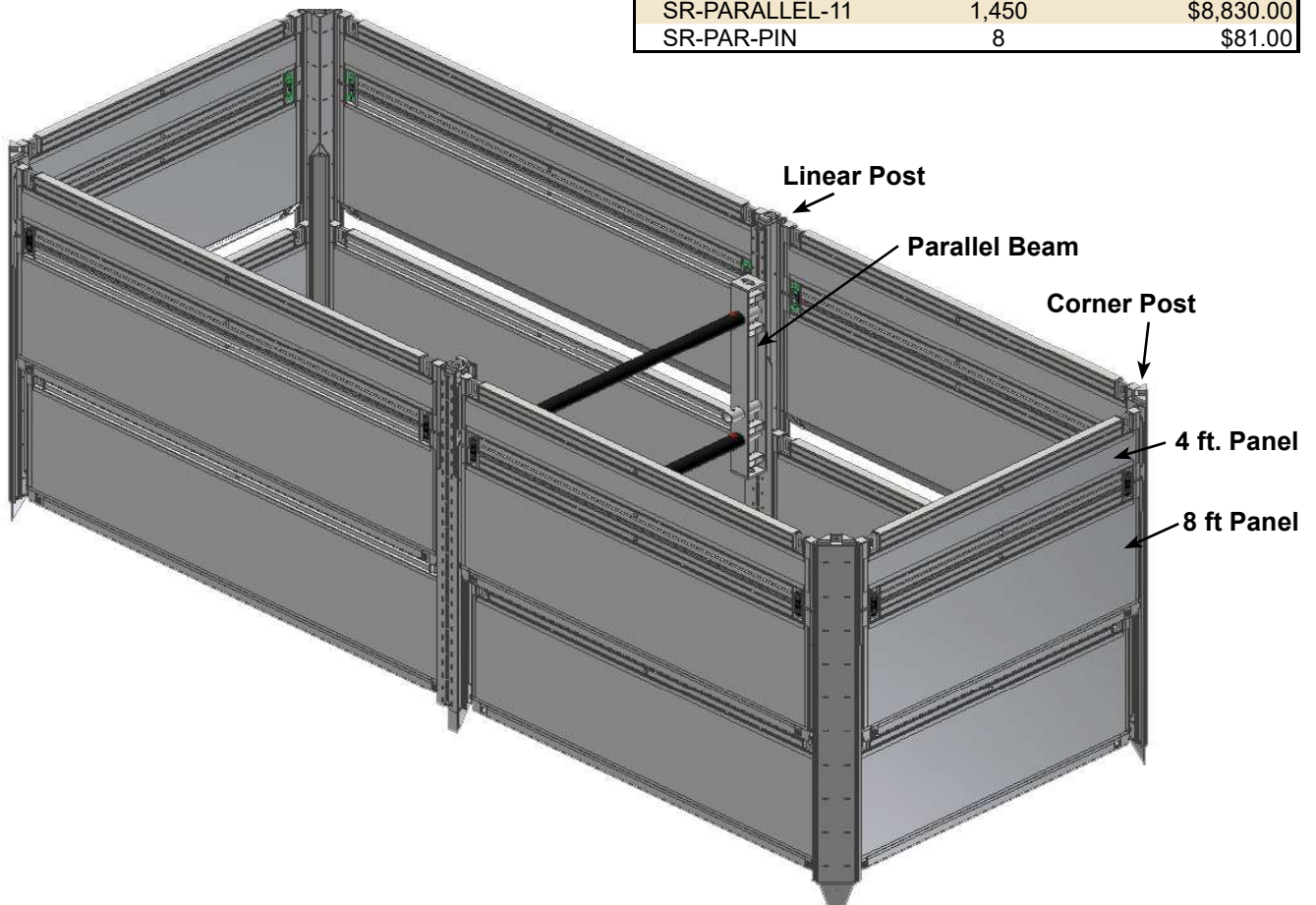
Aluminum Manbridge

Part Number	Description	Weight (Lbs.)	List Price
MBA-2X8	Aluminum Manbridge - 2 x 8 ft. Long with Fixed Alum Handrails	190	\$9,587.00
MBA-2X12	Aluminum Manbridge - 2 x 12 ft. Long with Fixed Alum Handrails	270	\$12,464.00

5 in. Steel Panels, Posts, Parallel Beams

4 ft. Panels - No Knife-Edge, 5 in. width (NOKE-5)		
Model Ht. x Lg.	Weight (Lbs.)	List Price
SR-48NOKE-5	2,080	\$8,603.00
SR-410NOKE-5	2,330	\$8,708.00
SR-412NOKE-5	2,600	\$8,954.00
SR-414NOKE-5	3,080	\$9,965.00
SR-416NOKE-5	3,220	\$10,906.00
SR-418NOKE-5	3,500	\$12,326.00
SR-420NOKE-5	3,740	\$13,921.00
SR-422NOKE-5	3,950	\$15,464.00
SR-424NOKE-5	4,400	\$16,570.00
SR-426NOKE-5	6,100	\$17,648.00
SR-428NOKE-5	6,550	\$18,566.00
8 ft. Panels - Knife-Edge, 5 in. width (KE-5)		
Model Ht. x Lg.	Weight (Lbs.)	List Price
SR-88KE-5	3,050	\$10,991.00
SR-810KE-5	3,140	\$11,513.00
SR-812KE-5	3,670	\$13,175.00
SR-814KE-5	3,920	\$14,387.00
SR-816KE-5	4,750	\$16,881.00
SR-818KE-5	6,120	\$20,092.00
SR-820HDKE-5	7,150	\$23,377.00
SR-822HDKE-5	8,300	\$29,704.00
SR-824HDKE-5	10,500	\$31,634.00
SR-826KE-5	10,850	\$34,651.00
SR-828HDKE-5	14,000	\$39,606.00

Corner Posts w/ Double Rail or Triple Rail (TRIP)		
Model - Lg.	Weight (Lbs.)	List Price
SR-CPOST-11-S	1,050	\$8,278.00
SR-CPOST-14-O	2,650	\$14,917.00
SR-CPOST-16-O	3,000	\$15,320.00
SR-CPOST-18-O	3,050	\$15,752.00
SR-CPOST-20-O	3,270	\$16,634.00
SR-CPOST-22-O	3,800	\$17,394.00
SR-CPOST-24-O	4,100	\$18,755.00
SR-CPOST-26-O	4,800	\$21,405.00
SR-TRIP-CP-28	9,865	Call for Pricing
SR-TRIP-CP-32	10,960	Call for Pricing
Linear Posts w/ Double Rail or Triple Rail (TRIP)		
Model - Lg.	Weight (Lbs.)	List Price
SR-LPOST-11-S	1,800	9,424.00
SR-LPOST-14-O	3,050	16,448.00
SR-LPOST-18-O	3,650	19,327.00
SR-LPOST-20-O	4,120	20,658.00
SR-LPOST-22-O	4,550	21,756.00
SR-LPOST-24-O	4,780	23,412.00
SR-LPOST-26-O	5,200	26,352.00
SR-TRIP-LP-28	7,100	Call for Pricing
SR-TRIP-LP-32	8,300	Call for Pricing
Parallel Beams, Pin		
Model - Lg.	Weight (Lbs.)	List Price
SR-PARALLEL-4	685	\$5,955.00
SR-PARALLEL-7	1,150	\$7,861.00
SR-PARALLEL-8	1,220	\$8,345.00
SR-PARALLEL-11	1,450	\$8,830.00
SR-PAR-PIN	8	\$81.00



Shore-Trak™ Sheeting Guide Frame & Panel Guide

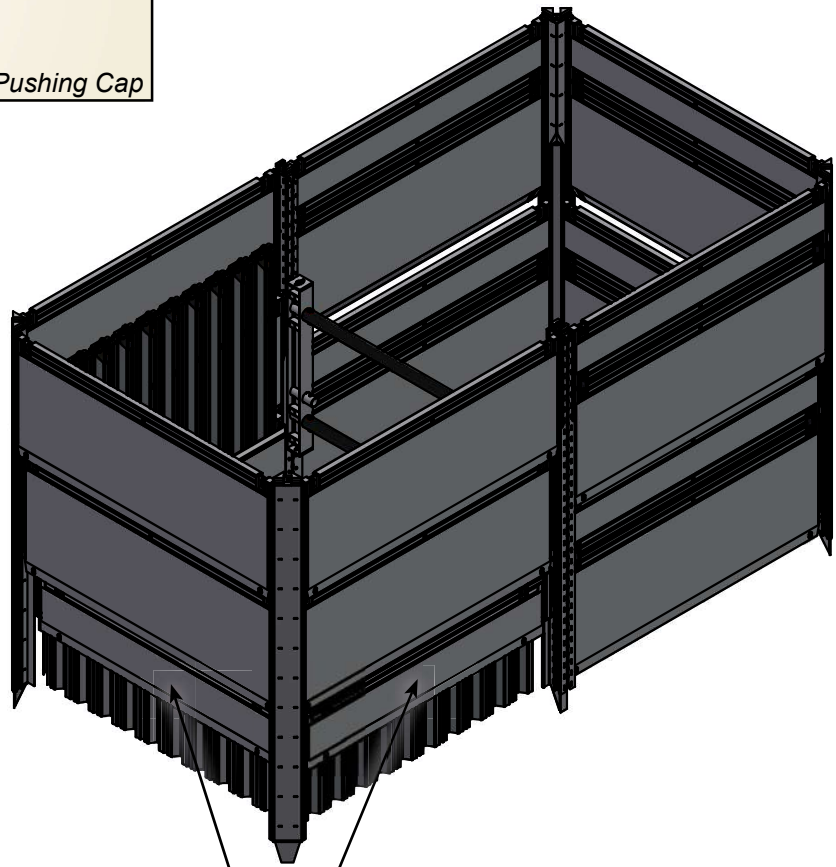
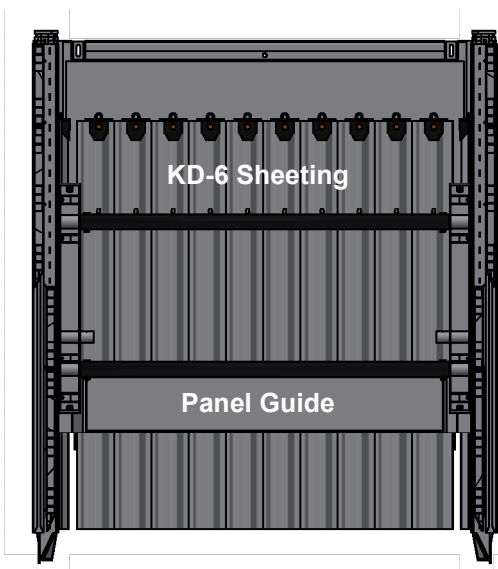
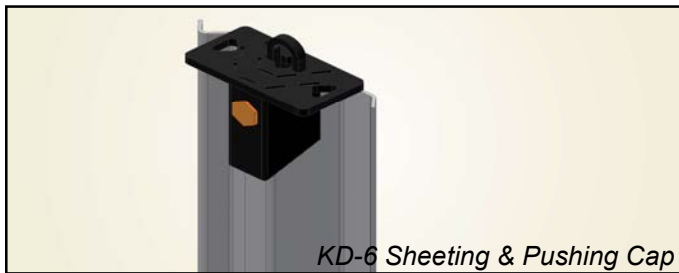
Sheeting Guide Frame (used with Walers)		
Model - Lg.	Weight (Lbs.)	List Price
STWG-I-12	4,000	Call EPI Sales Dept. for current pricing, 800-552-8800
STWG-I-14	4,600	
STWG-I-16	4,960	
STWG-I-18	6,140	
STWG-I-20	7,030	
STWG-I-24	10,000	
STWG-I-26	12,300	

Panel Guide w/ Knife Edge, 4 ft. Height		
Model - Lg.	Weight (Lbs.)	List Price
SR-GUIDE-48KE	3,250	\$16,379.00
SR-GUIDE-410KE	3,365	\$16,766.00
SR-GUIDE-412KE	4,065	\$17,422.00
SR-GUIDE-414KE	4,535	\$18,390.00
SR-GUIDE-416KE	5,170	\$19,982.00
SR-GUIDE-418KE	6,190	\$21,414.00
SR-GUIDE-420KE	8,860	\$28,010.00
SR-GUIDE-424KE	13,090	\$30,019.00
SR-GUIDE-426KE	13,180	Call for Pricing
SR-GUIDE-428KE	13,270	Call for Pricing

Guide Frame Walers		
Model - Lg.	Weight (Lbs.)	List Price
STW-I-12	1,900	Call EPI Sales Dept. for current pricing, 800-552-8800
STW-I-14	4,400	
STW-I-16	2,400	
STW-I-18	2,700	
STW-I-20	3,960	
STW-I-24	4,400	
STW-I-28	4,940	

Sheeting				
Part No.	Sheeting	Length (Ft.)	Weight (Lbs.)	List Price
KD-6-8	KD-6	8	324	Call EPI Sales Dept. for current pricing, 800-552-8800
KD-6-12	KD-6	12	486	
KD-6-16	KD-6	16	648.16	
KD-6-20	KD-6	20	810	
KD-6-25	KD-6	25	1,013	
KD-6-30	KD-6	30	1,215	

Sheeting Pushing Caps				
Part No.	Sheeting	Description	Weight (Lbs.)	List Price
SR-KD6-PUSH	Overlap Sheet	Pushing Cap	94	793.00



Slide Rail Accessories & Job Box Content

Slide Rail System Accessories

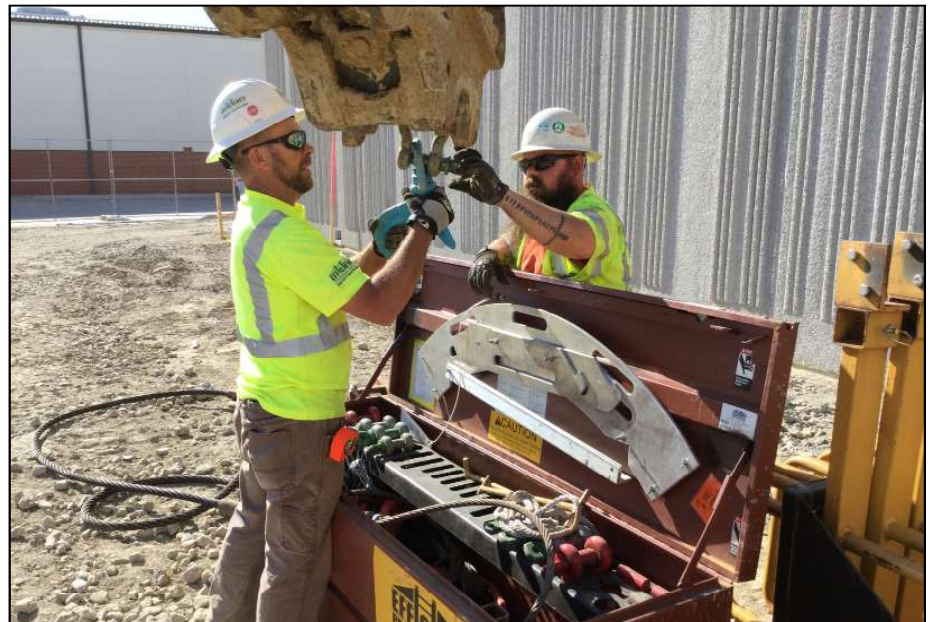
Model/Part No.	Description	Weight (Lbs.)	List Price
SR-PANEL-STACK	Panel Stacking Bracket	55	\$746.00
SR-PANEL-ST-PLT	Slide Rail Panel Stack Plate	2	\$27.00
SR-PANEL-ST-PIN	Panel Stacking Pin	8	\$73.00
SR-PULL-BRACKET	H-Style Pulling Bracket	86	\$1,842.00
SR-PULL-BKT-PIN	Pull Bracket Pin	16	\$348.00
SR-GR-SHACKLE	Ground Release Shackle	51	\$6,251.00
SR-GR-SH-REBUILD	Ground Release Shackle Rebuild Kit	6.5	\$1,475.00

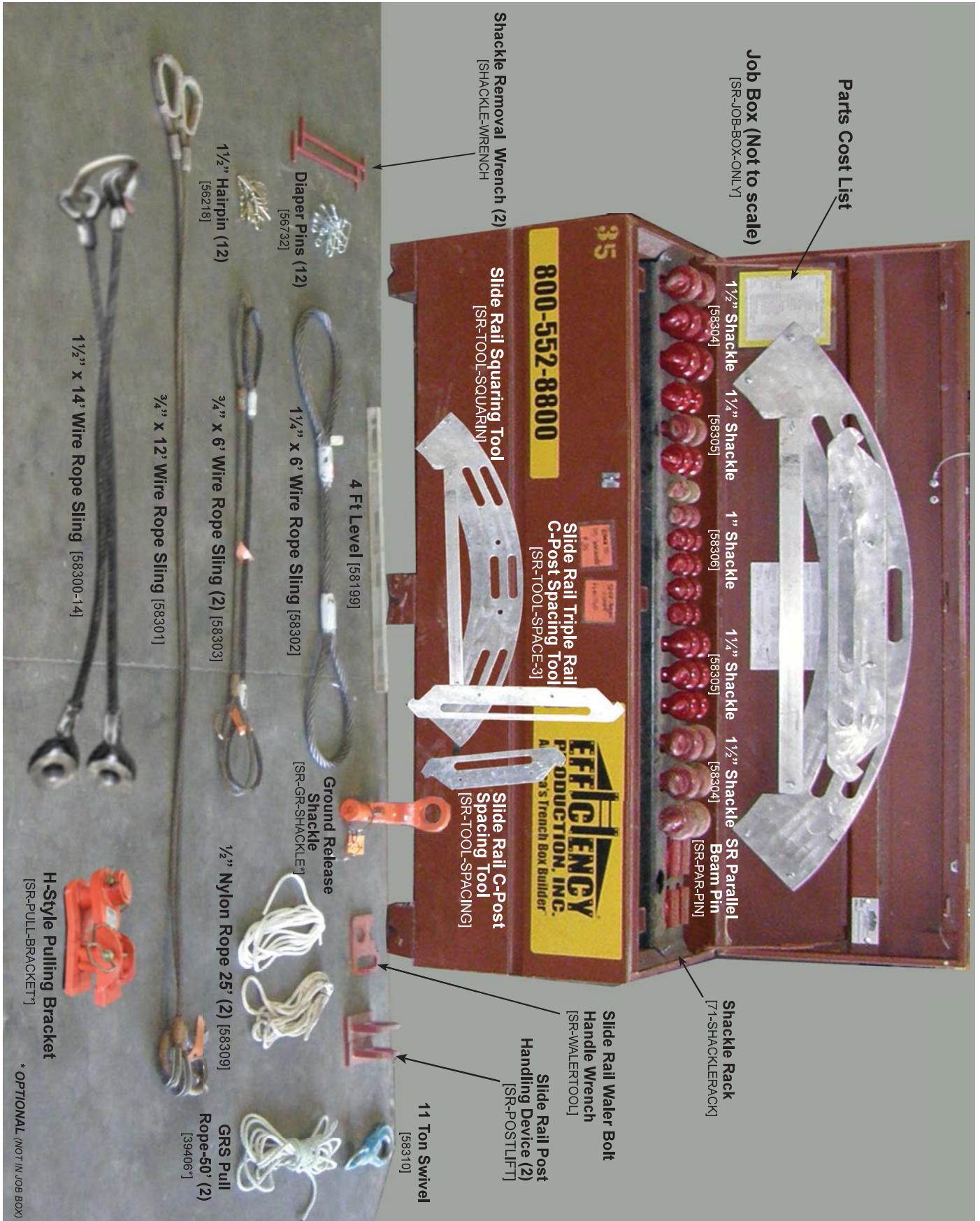
Guard Rail & Fall Protection

See Page 28

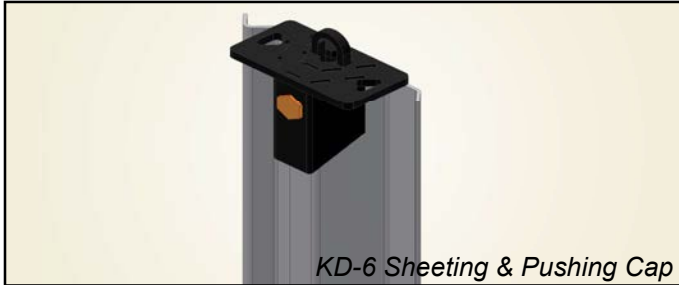
Job Box & Contents

Model/Part No.	Description	Qty.	Weight (Lbs.)	List Price
SR-JOB-BOX	Job Box With Contents- (less SR-GR-SHACKLE)	1	901	\$22,516.00
SR-JOB-BOX-ONLY	22 Cu.Ft. Job Box and Racks Only	1	204	\$3,717.00
71-SHACKLERACK	Shackle Rack for Job Box	1	50	\$411.00
SHACKLE-WRENCH	Shackle Removal Wrench	2	7	\$84.00
SR-PAR-PIN	Slide Rail Parallel Beam Pin (use w/Postlift)	2	8	\$81.00
SR-POSTLIFT	Slide Rail Post Handling Device	1	10	\$238.00
SR-TOOL-SPACING	Corner Spacing Tool	1	15	\$508.00
SR-TOOL-SPACE-3	Triple Rail Corner Spacing Tool	1	22	\$418.00
SR-TOOL-SQUARIN	Corner Squaring Tool	1	18	\$730.00
58199	4' Level	1	4	\$117.00
58300-14	Two Leg 1 1/2" Wire Rope Sling	1	260	\$5,880.00
58301	Two Leg 3/4" Wire Rope Sling	1	40	\$920.00
58302	1 1/4" x 6' Single Leg Sling	1	50	\$652.00
58303	3/4" x 6' Single Leg Sling	2	14	\$155.00
58304	1 1/2" Screw Pin Shackle	6	17	\$520.00
58305	1 1/4" Screw Pin Shackle	6	5	\$342.00
58306	1" Screw Pin Shackle	6	5	\$169.00
58309	1/2" Nylon Rope - 25' / 50'	2	12.5	\$1.00 L.F.
58310	11 Ton Swivel	1	13.2	\$1,626.00
56132	Diaper Pin	12	< 1	\$9.00
56218	1-1/2" Hairpin	12	< 1	\$4.00
56109	Hitch Pin 5/8" x 5-3/4"	6	1	\$14.00
SR-WALER-TOOL	Slide Rail Waler Bolt Handle Wrench	1	4	\$136.00





Quicksheet Guideframe - Panel Frames		
Model - Lg.	Weight (Lbs.)	List Price
SR-SF-12	5,080	Call EPI Sales
SR-SF-16	8,920	Dept. for current
SR-SF-20	10,300	pricing,
SR-SF-24	14,440	800-552-8800

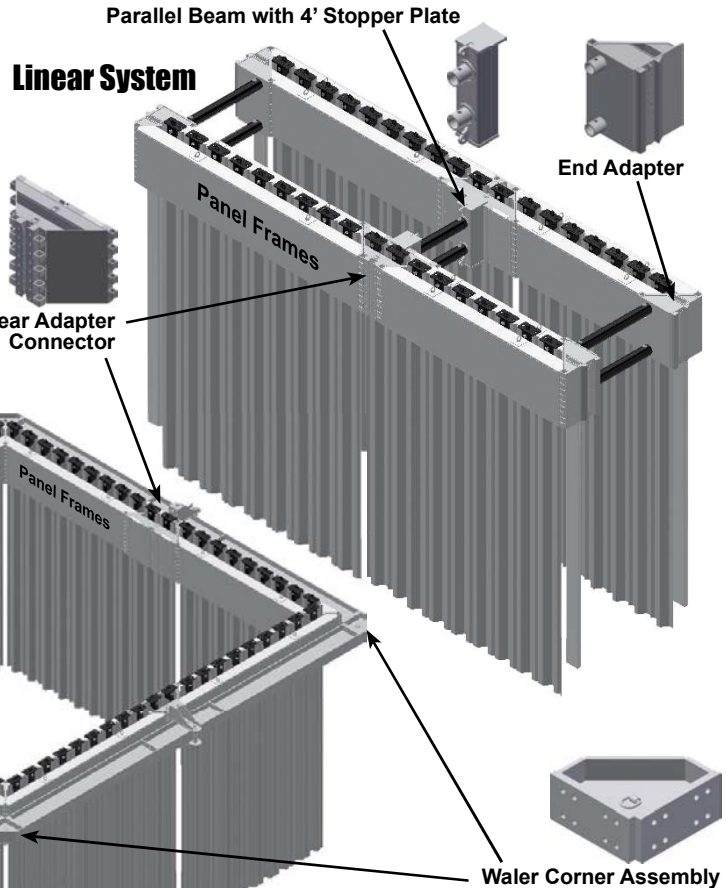
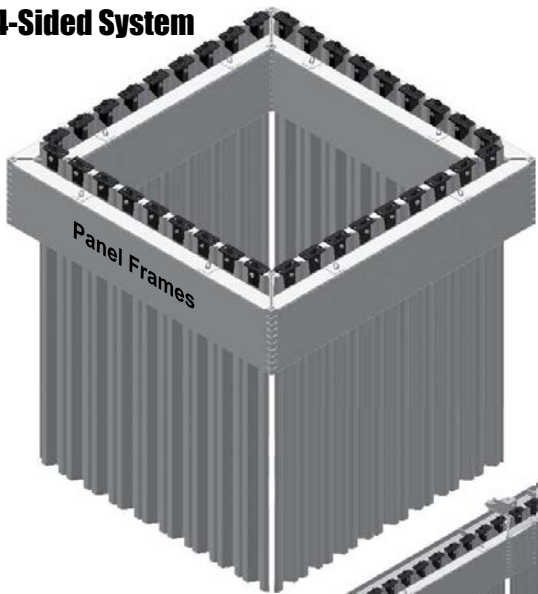


Sheeting				
Part No.	Sheeting	Length (Ft.)	Weight (Lbs.)	List Price
KD-6-8	KD-6	8	324	Call EPI Sales Dept. for current pricing, 800-552-8800
KD-6-12	KD-6	12	486	
KD-6-16	KD-6	16	650	
KD-6-20	KD-6	20	810	
KD-6-25	KD-6	25	1,013	
KD-6-30	KD-6	30	1,215	

Sheeting Pushing Caps			
Part No.	Description	Weight (Lbs.)	List Price
SR-KD6-PUSH	Sheeting Pushing Cap	94	See Page 30

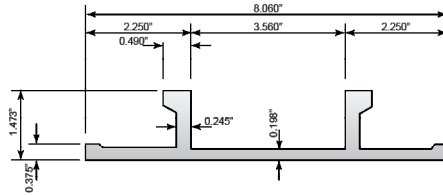
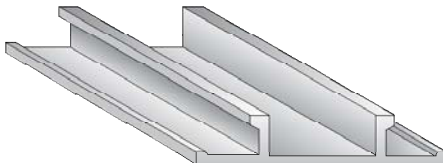
Quicksheet Guideframe Accessories			
Model/Part No.	Description	Weight (Lbs.)	List Price
SR-SF-CAP	Sheeting Frame End Adapter	2,320	\$13,792.00
SR-SF-L-ADP	Sheeting Frame Linear Adapter Connector	2,900	\$18,597.00
SR-SF-PARALLE-4	Slide Rail Parallel Beam - 4' with Stopper Plate	880	\$5,955.00
SR-SF-WAL-CORNR	Sheeting Frame Waler Corner Assembly	2,720	\$4,294.00

4-Sided System

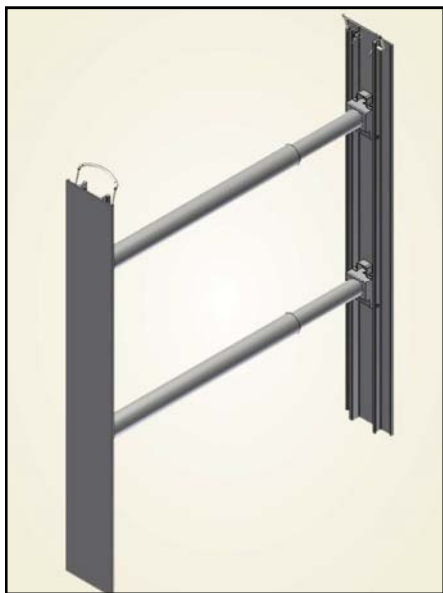


ClearSpan™ System

Standard Vertical Rail



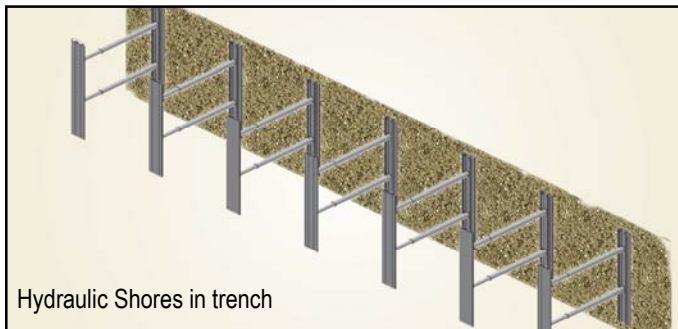
**Cross Section of
Standard Vertical Rail**



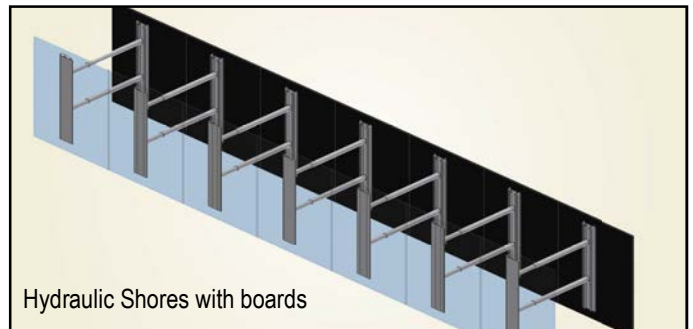
Hydraulic Vertical Shore with two cylinders

Set Includes: 2 Rails, Cylinders, Fittings, and Hose

Model Rail Lg. x Cr. Br.	Working Range Width (In.)	Cylinders	Weight (Lbs.)	List Price
HVS-1.5-1727SP	17 - 27	1	20	\$515.00
HVS-1.5-2236SP	22 - 36	1	23	\$536.00
HVS-1.5-2846SP	28 - 46	1	25	\$580.00
HVS-1.5-3455SP	34 - 55	1	28	\$613.00
HVS-1.5-4064SP	40 - 64	1	31	\$666.00
HVS-1.5-5288SP	52 - 88	1	36	\$754.00
HVS-2-1727SP	17 - 27	1	22	\$562.00
HVS-2-2236SP	22 - 36	1	24	\$583.00
HVS-2-2846SP	28 - 46	1	28	\$627.00
HVS-2-3455SP	34 - 55	1	30	\$660.00
HVS-2-4064SP	40 - 64	1	31	\$714.00
HVS-2-5288SP	52 - 88	1	38	\$801.00
HVS-3.5-1727SP	17 - 27	2	41	\$1,087.00
HVS-3.5-2236SP	22 - 36	2	50	\$1,160.00
HVS-3.5-2846SP	28 - 46	2	55	\$1,235.00
HVS-3.5-3455SP	34 - 55	2	60	\$1,317.00
HVS-3.5-4064SP	40 - 64	2	67	\$1,414.00
HVS-3.5-5288SP	52 - 88	2	77	\$1,582.00
HVS-5-1727SP	17 - 27	2	55	\$1,149.00
HVS-5-2236SP	22 - 36	2	60	\$1,204.00
HVS-5-2846SP	28 - 46	2	65	\$1,288.00
HVS-5-3455SP	34 - 55	2	70	\$1,367.00
HVS-5-4064SP	40 - 64	2	78	\$1,501.00
HVS-5-5288SP	52 - 88	2	87	\$1,610.00
HVS-7-1727SP	17 - 27	2	65	\$1,282.00
HVS-7-2236SP	22 - 36	2	70	\$1,340.00
HVS-7-2846SP	28 - 46	2	75	\$1,423.00
HVS-7-3455SP	34 - 55	2	80	\$1,506.00
HVS-7-4064SP	40 - 64	2	88	\$1,600.00
HVS-7-5288SP	52 - 88	2	97	\$1,748.00
HVS-9-1727SP	17 - 27	3	84	\$1,844.00
HVS-9-2236SP	22 - 36	3	90	\$1,930.00
HVS-9-2846SP	28 - 46	3	102	\$2,066.00
HVS-9-3455SP	34 - 55	3	108	\$2,190.00
HVS-9-4064SP	40 - 64	3	120	\$2,425.00
HVS-9-5288	52 - 88	3	132	\$2,548.00



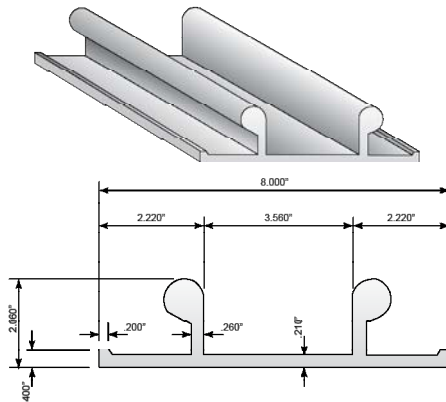
Hydraulic Shores in trench



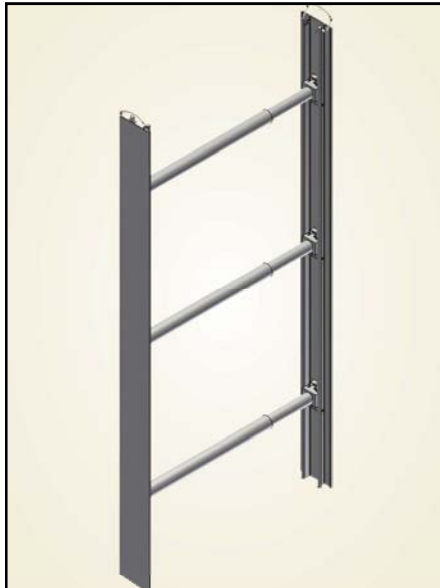
Hydraulic Shores with boards

HEAVY DUTY Vertical Hydraulic Shores

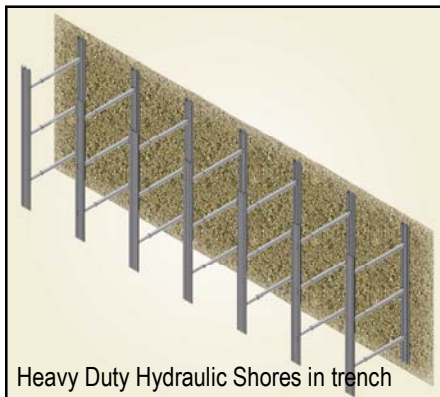
Heavy-Duty Vertical Rail



Cross Section of Heavy-Duty Vertical Rail



Heavy Duty Hydraulic Shore with three cylinders



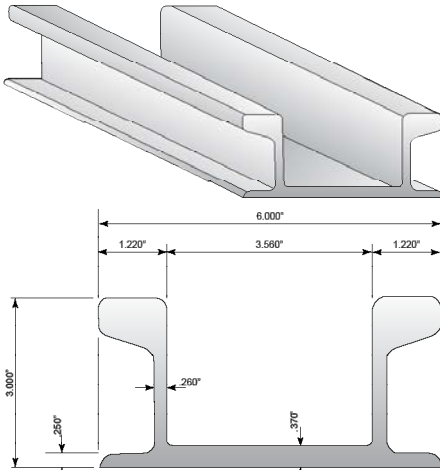
Heavy Duty Hydraulic Shores in trench

Set Includes: 2 Rails, Cylinders, Fittings, and Hose

Model	Working Range	Weight	List Price
Rail Lg. x Cr. Br.	Width (In.)	Cylinders	(Lbs.)
H-1.5X1727	17 - 27	1	\$668.00
H-1.5X2236	22 - 36	1	\$724.00
H-1.5X2846	28 - 46	1	\$749.00
H-1.5X3455	34 - 55	1	\$761.00
H-1.5X4064	40 - 64	1	\$872.00
H-1.5X5288	52 - 88	1	\$916.00
H-2X1727	17 - 27	1	\$693.00
H-2X2236	22 - 36	1	\$743.00
H-2X2846	28 - 46	1	\$767.00
H-2X3455	34 - 55	1	\$786.00
H-2X4064	40 - 64	1	\$891.00
H-2X5288	52 - 88	1	\$934.00
H-3.5X1727	17 - 27	2	\$1,157.00
H-3.5X2236	22 - 36	2	\$1,225.00
H-3.5X2846	28 - 46	2	\$1,286.00
H-3.5X3455	34 - 55	2	\$1,398.00
H-3.5X4064	40 - 64	2	\$1,571.00
H-3.5X5288	52 - 88	2	\$1,658.00
H-5X1727	17 - 27	2	\$1,256.00
H-5X2236	22 - 36	2	\$1,348.00
H-5X2846	28 - 46	2	\$1,410.00
H-5X3455	34 - 55	2	\$1,497.00
H-5X4064	40 - 64	2	\$1,634.00
H-5X5288	52 - 88	2	\$1,745.00
H-7X1727	17 - 27	2	\$1,410.00
H-7X2236	22 - 36	2	\$1,472.00
H-7X2846	28 - 46	2	\$1,571.00
H-7X3455	34 - 55	2	\$1,646.00
H-7X4064	40 - 64	2	\$1,807.00
H-7X5288	52 - 88	2	\$1,893.00
H-9X1727	17 - 27	3	\$1,980.00
H-9X2236	22 - 36	3	\$2,116.00
H-9X2846	28 - 46	3	\$2,202.00
H-9X3455	34 - 55	3	\$2,313.00
H-9X4064	40 - 64	3	\$2,548.00
H-9X5288	52 - 88	3	\$2,698.00
H-12X1727	17 - 27	3	\$2,202.00
H-12X2236	22 - 36	3	\$2,289.00
H-12X2846	28 - 46	3	\$2,425.00
H-12X3455	34 - 55	3	\$2,548.00
H-12X4064	40 - 64	3	\$2,772.00
H-12X5288	52 - 88	3	\$2,895.00
H-16X1727	17 - 27	4	\$2,858.00
H-16X2236	22 - 36	4	\$3,019.00
H-16X2846	28 - 46	4	\$3,155.00
H-16X3455	34 - 55	4	\$3,291.00
H-16X4064	40 - 64	4	\$3,626.00
H-16X5288	52 - 88	4	\$3,786.00

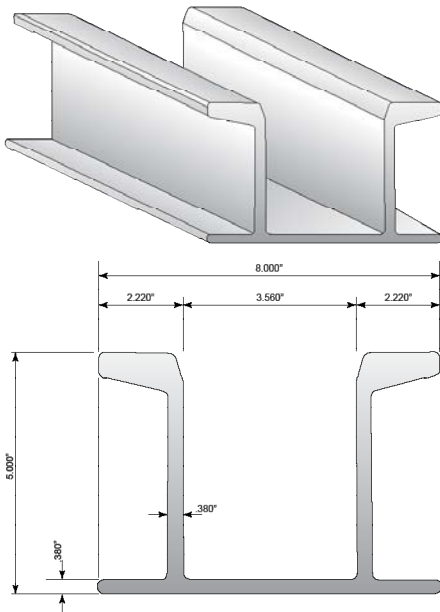
Horizontal Hydraulic Walers

Standard Horizontal Waler

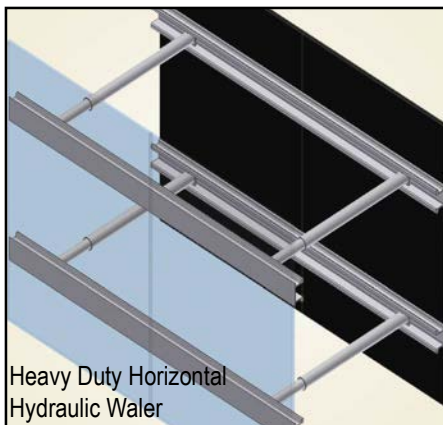


Cross Section of Standard Waler

Heavy-Duty Horizontal Waler



Cross Section of Heavy-Duty Waler



Heavy Duty Horizontal Hydraulic Waler

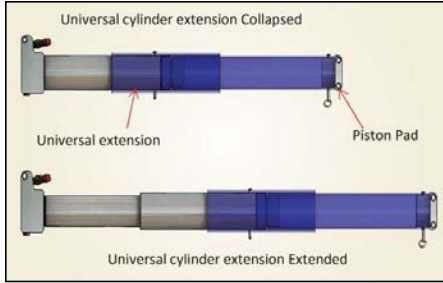
Set Includes: 2 Rails, Cylinders, Fittings, Hose, and Eye Bolts

Model Rail Lg. x Cr. Br.	Working Range Width (In.)	Cylinders	Weight (Lbs.)	List Price
WS-6X36	22 - 36	2	97	\$1,609.00
WS-6X46	28 - 46	2	105	\$1,731.00
WS-6X55	34 - 55	2	109	\$1,852.00
WS-6X88	52 - 88	2	125	\$2,130.00
WS-8X36	22 - 36	2	121	\$1,842.00
WS-8X46	28 - 46	2	129	\$1,924.00
WS-8X55	34 - 55	2	133	\$2,033.00
WS-8X88	52 - 88	2	149	\$2,298.00
WS-12X36	22 - 36	3	180	\$2,756.00
WS-12X46	28 - 46	3	188	\$2,810.00
WS-12X55	34 - 55	3	198	\$3,009.00
WS-12X88	52 - 88	3	218	\$3,398.00

HEAVY DUTY - Set Includes: 2 Rails, Cylinders, Fittings, and Hose

Model - Rail Lg. x Cr. Br.	Cross Brace Width (In.)	Cylinders	Weight (Lbs.)	List Price
WH-6X36	22 - 36	2	167	CALL FOR PRICING
WH-6X46	28 - 46	2	175	
WH-6X55	34 - 55	2	179	
WH-6X88	52 - 88	2	195	
WH-8X36	22 - 36	2	215	
WH-8X46	28 - 46	2	223	
WH-8X55	34 - 55	2	227	
WH-8X88	52 - 88	2	243	
WH-10X36	22 - 36	2	262	
WH-10X46	28 - 46	2	270	
WH-10X55	34 - 55	2	274	
WH-10X88	52 - 88	2	290	
WH-12X36	22 - 36	2	309	
WH-12X46	28 - 46	2	317	
WH-12X55	34 - 55	2	321	
WH-12X88	52 - 88	2	337	

Extensions; Replacement Rails, Handles, & Walers



Cylinder w/ One-Piece Extension

Universal One-Piece Extension			
Part No.	Length (In.)	Weight (Lbs.)	List Price
HS-UNIVEX-12	12	6	\$373.00
HS-UNIVEX-18	18	7	\$381.00
HS-UNIVEX-24	24	8	\$404.00
HS-UNIVEX-30	30	9	\$423.00
HS-UNIVEX-36	36	11	\$435.00
HS-UNIVEX-42	42	12	\$446.00
HS-UNIVEX-48	48	13	\$468.00
HS-UNIVEX-56	56	15	\$502.00



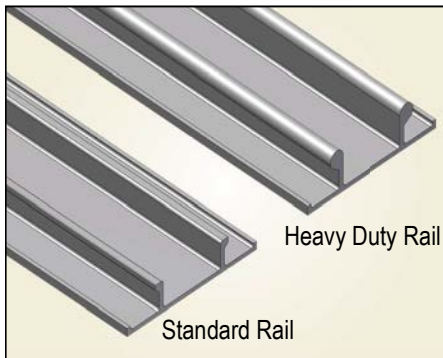
VHS Standard Rail

Replacement Rails; Cylinder or Socket Side				
Cylinder Rail Part No.	Socket Rail Part No.	Rail Length (Ft.)	Weight (Lbs.)	List Price
8330110	8335110	1.5	4.5	\$89.00
8330120	8335120	2	6	\$100.00
8330140	8335140	3.5	10.5	\$161.00
8330150	8335150	5	15	\$193.00
8330155	8335155	7	21	\$246.00
8330160	8335160	9	27	\$281.00
HEAVY DUTY				
8340110	8345110	2	9	\$169.00
8340120	8345120	3	12.5	\$170.00
8340130	8345130	3.5	15	\$177.00
8340140	8345140	5	21	\$266.00
8340150	8345150	7	29	\$310.00
8340160	8345160	9	37	\$423.00
8340170	8345170	12	49	\$505.00
8340175	8345175	16	65	\$662.00



VHS Heavy Duty Rail

Handles, Pins and Keepers		
Part No.	Description	List Price
001VRHA	Heavy Duty Rail Handle, Washers and Clips	\$24.00
2VS001	Rail Pins	\$5.00
2VS002	HS Ring 1" Kick Out	\$2.00
2VS003	Oversleeve Pin	\$5.00

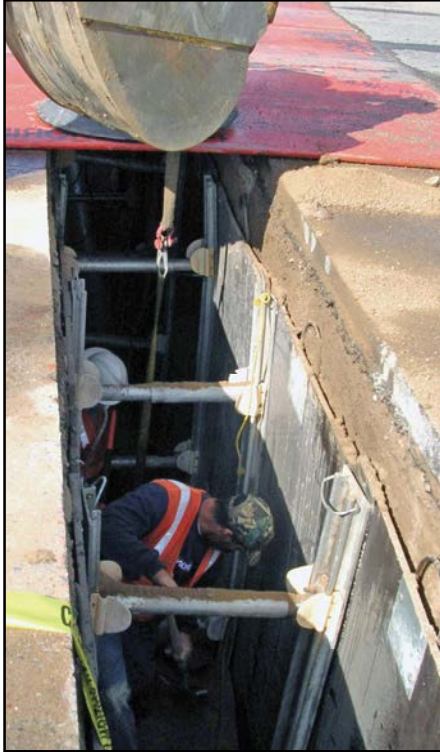


Heavy Duty Rail

Standard Rail

Replacement Walers w/ Lift Eye; Cylinder or Socket Side			
Part No.	Rail Length (Ft.)	Weight (Lbs.)	List Price
8355100	6	35	\$301.00
8355110	8	47	\$420.00
8355120	12	70	\$582.00
HEAVY DUTY			
8365100	6	71	\$971.00
8365110	8	94	\$1,255.00
8365120	10	117	\$1,535.00
8365130	12	141	\$1,893.00
8365160	16	188	\$2,400.00

Piston Rods, Barrels, Oversleeves, & Assemblies



Piston Rods				
Part No.	Description	Cyl. Range	Weight (Lbs.)	List Price
SP2PR13	HS Piston Rod 27 Solid	17 - 27	1.6	\$69.00
SP2PR18	HS Piston Rod 36 Solid	22 - 36	2.1	\$74.00
SP2PR24	HS Piston Rod 46 Solid	28 - 46	2.9	\$88.00
SP2PR30	HS Piston Rod 55 Solid	34 - 55	3.6	\$103.00
SP2PR36	HS Piston Rod 64 Solid	40 - 64	4.4	\$119.00
SP2PR48	HS Piston Rod 88 Solid	52 - 88	5.8	\$144.00

2 in. Hydraulic Shore Barrels				
Part No.	Description	Cyl. Range	Weight (Lbs.)	List Price
2CB1727	HS Cylinder Barrel 1727	17 - 27	2.2	\$125.00
2CB2236	HS Cylinder Barrel 2236	22 - 36	3.1	\$141.00
2CB2846	HS Cylinder Barrel 2846	28 - 46	4.1	\$189.00
2CB3455	HS Cylinder Barrel 3455	34 - 55	5.1	\$196.00
2CB4064	HS Cylinder Barrel 4064	40 - 64	6.2	\$226.00
2CB5288	HS Cylinder Barrel 5288	52 - 88	8.3	\$284.00

2 in. Hydraulic Shore Oversleeves				
Part No.	Description	Cyl. Range	Weight (Lbs.)	List Price
2OS13	Oversleeve Model 27	17 - 27	2.2	\$47.00
2OS17	Oversleeve Model 36	22 - 36	2.9	\$54.00
2OS23	Oversleeve Model 46	28 - 46	3.9	\$67.00
2OS27	Oversleeve Model 55	34 - 55	4.6	\$74.00
2OS32	Oversleeve Model 64	40 - 64	5.4	\$88.00
2OS44	Oversleeve Model 88	52 - 88	7.3	\$118.00

2 in. Cylinder Assembly				
Part No.	Description	Cyl. Range	Weight (Lbs.)	List Price
SP2CYL1727	Cylinder Assembly 1727 SP 2"	17 - 27	11	\$476.00
SP2CYL2236	Cylinder Assembly 2236 SP 2"	22 - 36	13	\$501.00
SP2CYL2846	Cylinder Assembly 2846 SP 2"	28 - 46	15.5	\$550.00
SP2CYL3455	Cylinder Assembly 3455 SP 2"	34 - 55	18	\$602.00
SP2CYL4064	Cylinder Assembly 4064 SP 2"	40 - 64	20	\$652.00
SP2CYL5288	Cylinder Assembly 5288 SP 2"	52 - 88	26	\$758.00

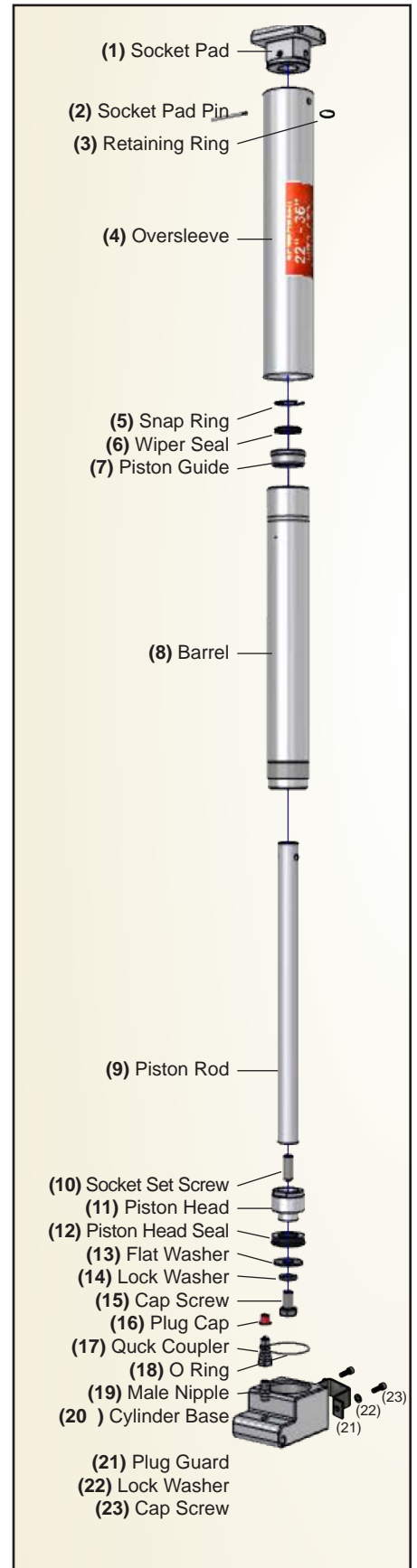
2 in. Cylinder Repair Kit	
Part Number: AS520425	List Price: \$98.00



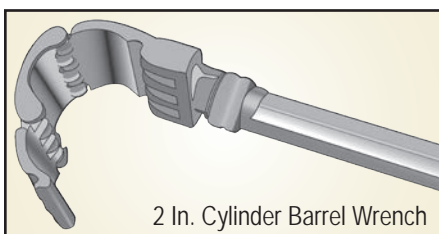
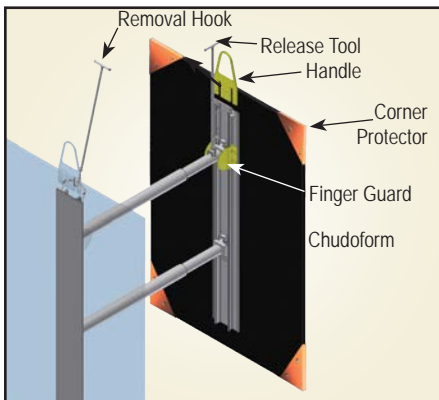
2 In. Cylinder Components w-Parts labeled

2 In. Cylinder Components					
Item	Part No.	Description	Weight (Lbs)	Qty Req	List Price
1	5091	Solid Piston Pad	1	1	\$60.00
2	2VS003	Connection Pin	< 1	1	\$5.00
3	2VS002	Retainer Ring	< 1	1	\$2.00
4	2OS[##]	Over Sleeve For [2236] 2" Hyd. Cyl.	2.88	1	\$54.00
5	5087	Snap Ring	< 1	1	\$4.00
6	5088	Wiper Seal For 2" Hydraulic Cylinders	< 1	1	\$5.00
7	5092-U	Solid Piston Guide	< 1	1	\$31.00
8	2CB[##]	Barrel For [#####] 2" Solid Piston	3.1	1	###
9	SP2PR[##]	2" Solid Piston Rod	2.15	1	###
10	5051	Hex Socket Set Screw 5/8-11 x 1- 1/2		1	\$5.00
11	5089	Solid Piston Head	< 1	1	\$38.00
12	SP2PR006	Piston Head Seal	< 1	1	\$26.00
13	2PR007*	5/8" Flat Washer		1	\$1.00
14	2PR008*	5/8" Lock Washer		1	\$1.00
15	2PR009	5/8-11 X 1" Lg. Hex Cap Screw		1	\$2.00
16	CAP-R	Red Plug Cap For 2" Hyd. Cylinders		1	
17	2-HF-103	Male Quick Coupler	< 1	1	\$37.00
18	2-CB-002	O Ring	2.8	1	\$4.00
19	2-HF-101	Male Nipple 1/4"	< 1	1	\$4.00
20	2-CB-001	HS 2" Cylinder Base	2.75	1	\$118.00
21	59245	Plug/Elbow Fitting Guard	< 1	1	\$6.00
22	25009*	1/4-20 X 5/8 Socket Head Cap Screw		2	See Footnote
23	27010*	1/4 Spring Lock Washer		2	See Footnote

*May be available through a local source such as a hardware store *Included in Repair Kit*

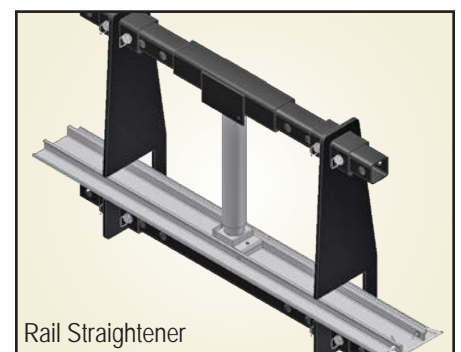


2 in. Cylinder Repair Kit	
Part Number: AS520425	List Price: \$98.00
Includes:	<i>Current Part No.</i>
2-HF-101	Male Nipple 1/4"
2-CB-002	HS Cylinder Base O-Ring
59205	O-Ring (Cylinder Pad)
5087	HS Ring 1-9/16" Yellow Housing
2PR001	HS Ring VHLA-217 Retainer
5088	HS Seal 1-1/4" Wiper Slot Heal
2PR002	HS Seal 2-1/8" x 1-3/4" ID Wiper
59215	O-Ring (Piston Head)
2PR006	HS Piston Head Seal
ISP2PR006	HS Piston Head Seal
59235	HS Piston Head Seal - EPI
59237	Wear Ring - Molygard
2-HF-103	Male Quick Coupler
3253	Seal Deep Polypak 1 1/4x2"



Accessories			
Part No.	Description	Weight (Lbs.)	List Price
AS512001	STEEL Hand Pump - 5 gal.	25	\$2,039.00
AS512039	PLASTIC Hand Pump - 5 gal. Translucent	24	\$1,363.00
AS510028	1 Gallon All-Season Shoring Fluid	10	\$107.00
AS510032	Case (6 gal) All-Season Shoring Fluid	60	\$617.00
AS510036	Case (4 gal) All-Season Shoring Fluid	40	\$417.00
AS510014	1 Qt./Bottle Summer Grade Shoring Fluid	2	\$30.00
AS510024	Case (12qts.) Summer Grade Shoring Fluid	25	\$324.00
HVS-30-RT	30" Release Tool	4	\$128.00
HVS-48-RT	48" Release Tool	7	\$147.00
HVS-72-RT	72" Release Tool	9	\$156.00
HVS-96-RT	96" Release Tool	14	\$178.00
HVS-30-RH	30" Removal Hook	4	\$93.00
HVS-48-RH	48" Removal Hook	7	\$122.00
HVS-72-RH	72" Removal Hook	9	\$161.00
HVS-96-RH	96" Removal Hook	14	\$181.00
AS510013	72" Waler Release Tool	14	\$248.00
8345187-A	Standard Universal Handle for Chudoform <i>Includes Hardware</i>	4	\$70.00
59425-RAW	4x8 Sheets Of Chudoform	90	\$663.00
AS510023	2-1/2" Cylinder Barrel Wrench	12	\$2,319.00
AS-RS-ADJ	Rail Straightener	110	\$1,373.00
AS CYL.TEST	Test Stand-Single Cylinder	220	\$1,295.00
59246	Finger Guards	0.1	\$13.00
59244	Corner Protector (Chudo Form)	2.85	\$66.00

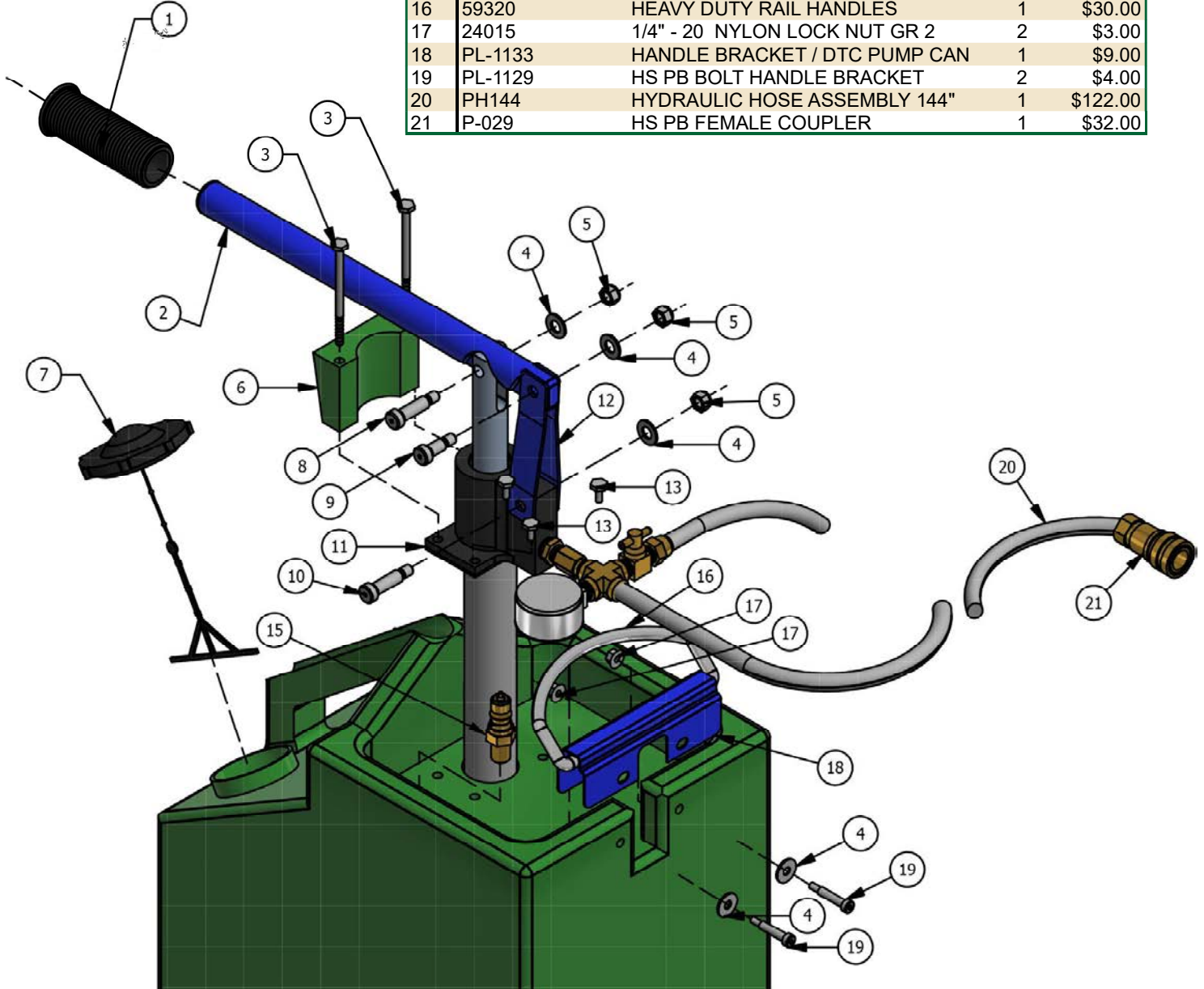
Hoses, Etc.		
Part No.	Description	List Price
PH37	37" Hydraulic Hose For 3.5' & 5' Rails*	\$47.00
PH59	59" Hydraulic Hose For 7' Rails*	\$54.00
25060	Plated 1/2" Eye Bolts	\$21.00
25061	Plated 5/8" Eye Bolts	\$26.00



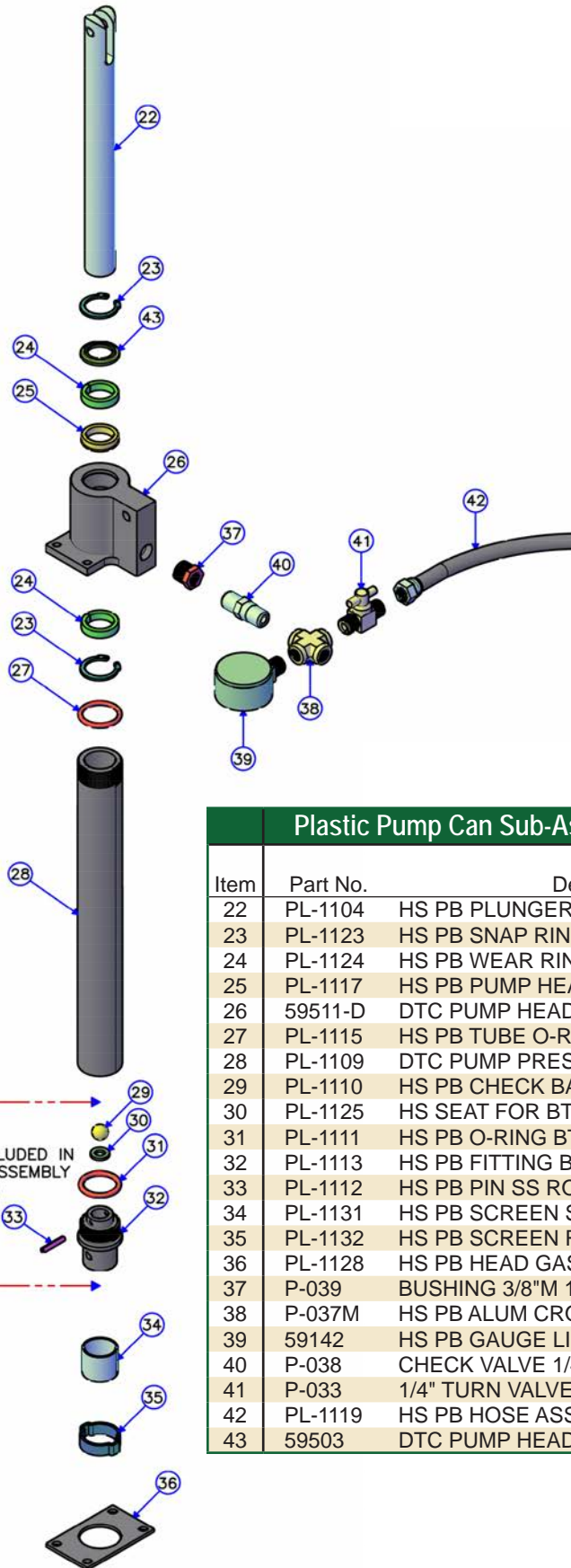
Plastic Hand Pump w-Parts labeled



5 Gallon Plastic Pump Can Parts				
Item	Part No.	Description	Qty Req	List Price
	59529-EPI-WHITE	DTC CONTAINER w/ EPI LOGO	1	\$340.00
1	PL-1116	HS PB HANDLE GRIP RUBBER	1	\$21.00
2	PL-1102	HS PB HANDLE	1	\$122.00
3	25016B	1/4" - 20 x 3" STAINLESS STEEL	2	\$4.00
4	26010	1/4" FLAT WASHER GR 8 USS	5	\$1.00
5	24041	5/16" - 18 NYLON LOCK NUT	3	\$3.00
6	PL-1127	HS PB SPACER FOR DTC PUMP	1	\$27.00
7	PL-1121	HS PB FILL CAP FOR TANK	1	\$50.00
8	25026A	3/8" x 1" SHOULDER BOLT	1	\$5.00
9	25026B	3/8" x 3/4" SHOULDER BOLT	1	\$5.00
10	25026C	3/8" x 1-1/4" SHOULDER BOLT	1	\$5.00
11	DTCPUMP-SUB	DTC PUMP SUBASSEMBLY	1	\$804.00
12	PL-1105	HS PB TIE ROD LINKS (2/SET)	1	\$48.00
13	PL-1118	1/4" - 20 x 3/4" HEX CAP SCREW	2	\$4.00
15	2-HF-103N	MALE COUPLER	1	\$37.00
16	59320	HEAVY DUTY RAIL HANDLES	1	\$30.00
17	24015	1/4" - 20 NYLON LOCK NUT GR 2	2	\$3.00
18	PL-1133	HANDLE BRACKET / DTC PUMP CAN	1	\$9.00
19	PL-1129	HS PB BOLT HANDLE BRACKET	2	\$4.00
20	PH144	HYDRAULIC HOSE ASSEMBLY 144"	1	\$122.00
21	P-029	HS PB FEMALE COUPLER	1	\$32.00



Plastic Pump SUB-ASSEMBLY w-Parts labeled



ITEMS 29 THRU. 33 INCLUDED IN
CHECK HOUSING SUB-ASSEMBLY
PART# 8345188

Plastic Pump Repair Kit	
Part. No.: PL-1101	
List Price: \$83.00	
Includes:	
PL-1124	HS PB WEAR RING FOR PLUNGR ROD (2qty)
PL-1117	HS PB PUMP HEAD POLYSEAL
PL-1111	HS PB O-RING BTM CHECK HOUSE
PL-1123	HS PB SNAP RING FOR PUMP BODY (2qty)
59503	DTC PUMP HEAD WIPER SEAL
PL-1131	HS PB SCREEN STRAINER
PL-1132	HS PB SCREEN RETAINER

Plastic Pump Can Sub-Assembly (DTC PUMP-SUB)				
Item	Part No.	Description	Qty Req	List Price
22	PL-1104	HS PB PLUNGER ROD	1	\$204.00
23	PL-1123	HS PB SNAP RING FOR PUMP BODY	2	\$11.00
24	PL-1124	HS PB WEAR RING FOR PLUNGR ROD	2	\$7.00
25	PL-1117	HS PB PUMP HEAD POLYSEAL	1	\$23.00
26	59511-D	DTC PUMP HEAD (BODY-ANODIZED)	1	\$205.00
27	PL-1115	HS PB TUBE O-RING PRESSURE	1	\$3.00
28	PL-1109	DTC PUMP PRESSURE TUBE (ANODIZ)	1	\$131.00
29	PL-1110	HS PB CHECK BALL	1	\$10.00
30	PL-1125	HS SEAT FOR BTM CHECK NYLON	1	\$10.00
31	PL-1111	HS PB O-RING BTM CHECK HOUSE	1	\$3.00
32	PL-1113	HS PB FITTING BTM CHECK HOUSE	1	\$102.00
33	PL-1112	HS PB PIN SS ROLL	1	\$3.00
34	PL-1131	HS PB SCREEN STRAINER	1	\$15.00
35	PL-1132	HS PB SCREEN RETAINER	1	\$4.00
36	PL-1128	HS PB HEAD GASKET	1	\$9.00
37	P-039	BUSHING 3/8" M 1/4" FW	1	\$4.00
38	P-037M	HS PB ALUM CROSS 1/4" FPTW	1	\$25.00
39	59142	HS PB GAUGE LIQUID FILLED	1	\$56.00
40	P-038	CHECK VALVE 1/4" BRASS 5,000 p	1	\$72.00
41	P-033	1/4" TURN VALVE BRASS	1	\$76.00
42	PL-1119	HS PB HOSE ASSEM RETURN DRAIN	1	\$36.00
43	59503	DTC PUMP HEAD WIPER SEAL	1	\$15.00

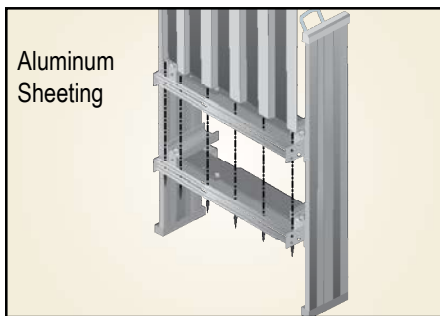
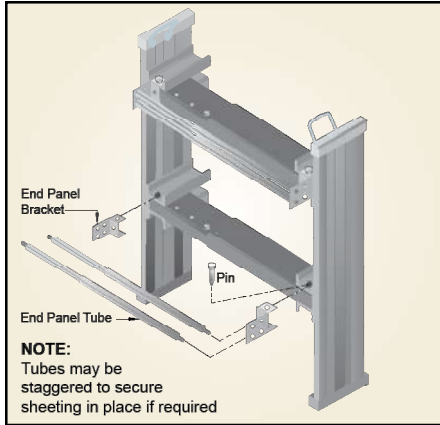


Steel Pump Parts & Assemblies

Part No.	Description	List Price
59025	5 Gal Bucket - Only	\$389.00
8350155	144" Hydraulic Hose Assembly	\$165.00
P-029	Female Quick Coupler	\$32.00
4707	Hex Nipple	\$6.00
4864-A	Male Quick Coupler	\$25.00
59142	2000 PSI Pressure Gauge-Liquid filled	\$56.00
4238	Brass Bushing	\$6.00
P-037	Brass Cross	\$21.00
5209	Brass Check Valve	\$76.00
4405	Brass Elbow	\$8.00
5207	1/4 Turn Valve	\$65.00
4861	Male/Female Swivel Adaptor	\$8.00
59255	Low Pressure Return Hose Assembly	\$15.00
59140	Handle	\$103.00
59055	Handle Stud	\$13.00
24025	Wing Nut	\$9.00
56207	Pin	\$12.00
59090	Links	\$39.00
59151	Plunger Rod	\$164.00
59225	Quad Ring	\$13.00
5206	Valve	\$25.00
59005	Sleeve	\$16.00
59130	Aluminum Gasket	\$9.00
25010	Mounting Bolts	\$3.00
59015	Pump Body	\$177.00
59165	Split Top Tube	\$25.00
26220	Star Washer	\$7.00
59164	Pump Tube	\$119.00
59135	Cup	\$11.00
26230	Lockwasher	\$3.00
24035	Nut	\$3.00
59010	Cover Bolt	\$12.00
59330	Retaining Ring	\$5.00
59030	Tank Cover	\$66.00
59131	Gasket	\$23.00
56108	3/8" Rue Clip	\$1.00
8345189	Pump Guard Assembly	\$60.00

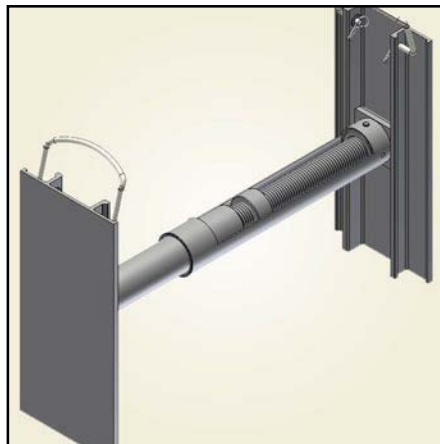
Steel Pump Repair Kit

Part. No.:	AS512029
List Price:	\$84.00
<u>Includes:</u>	
59225	Quad Ring (2)
5206	Valve
59005	Sleeve
59130	Aluminum Gasket
56108	3/8" Rue Clip (2)

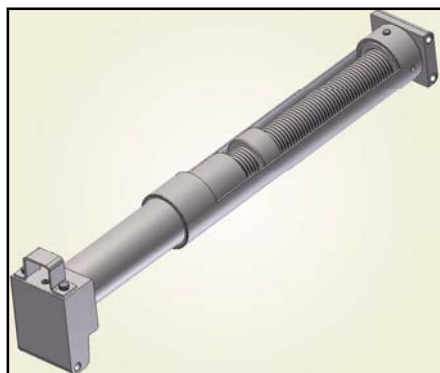


End Shores - Complete (less Sheeting)				
Model	Cross Brace		Weight	
Rail Lg. x Cr. Br.	Width (In.)	Cylinders	(Lbs.)	List Price
S-3.5X1727-E	17 - 27	2	215	\$4,169.00
S-3.5X2236-E	22 - 36	2	230	\$4,244.00
S-3.5X3455-E	34 - 55	2	240	\$4,642.00
S-3.5X4064-E	40 - 64	2	255	\$4,392.00
S-3.5X5288-E	52 - 88	2	260	\$4,814.00
S-5X1727-E	17 - 27	2	240	\$4,330.00
S-5X2236-E	22 - 36	2	250	\$4,404.00
S-5X3455-E	34 - 55	2	280	\$4,553.00
S-5X4064-E	40 - 64	2	310	\$4,651.00
S-5X5288-E	52 - 88	2	350	\$5,252.00
S-6X2236-E	22 - 36	2	260	\$4,503.00
S-6X2846-E	28 - 46	2	265	\$5,383.00
S-6X3455-E	34 - 55	2	290	\$5,027.00
S-6X4064-E	40 - 64	2	320	\$4,776.00
S-6X5288-E	52 - 88	2	360	\$5,638.00
Corrugated Aluminum Sheeting				
Part No. (Lg.)	Width x Length (In.)		Weight (Lbs.)	List Price
ALUM-EP-6	12 x 72		24	\$233.00
ALUM-EP-8	12 x 96		32	\$309.00
ALUM-EP-10	12 X 120		40	\$387.00
ALUM-EP-12	12 X 14		48	\$478.00

Utility Shores with Positive Locking Cylinders (PLC)



Standard shore with Positive Locking Cylinder



Standard PLC Shores-Includes 2 rails Positive Locking Cylinders				
Model	Cross Brace		Weight	
Rail Lg. x Cr. Br.	Width (In.)	Cylinders	(Lbs.)	List Price
SLHVS-1.5-1827	18 - 27	1	23	\$895.00
SLHVS-1.5-2236	23 - 36	1	24	\$924.00
SLHVS-1.5-2946	29 - 46	1	26	\$989.00
SLHVS-1.5-3555	35 - 55	1	29	\$1,039.00
SLHVS-1.5-4164	41 - 64	1	31	\$1,112.00
SLHVS-1.5-5388	53 - 88	1	37	\$1,239.00
SLHVS-3.5-1827	18 - 27	2	47	\$1,878.00
SLHVS-3.5-2236	23 - 36	2	53	\$1,983.00
SLHVS-3.5-2946	29 - 46	2	58	\$2,089.00
SLHVS-3.5-3555	35 - 55	2	63	\$2,208.00
SLHVS-3.5-4164	41 - 64	2	71	\$2,344.00
SLHVS-3.5-5388	53 - 88	2	80	\$2,590.00
SLHVS-5-1827	18 - 27	2	58	\$1,964.00
SLHVS-5-2236	23 - 36	2	63	\$2,041.00
SLHVS-5-2946	29 - 46	2	68	\$2,286.00
SLHVS-5-3555	35 - 55	2	73	\$2,343.00
SLHVS-5-4164	41 - 64	2	80	\$2,471.00
SLHVS-5-5388	53 - 88	2	90	\$2,629.00
2 in. Positive Locking Cylinder				
Part No.	Cyl. Range (In.)		Weight (Lbs.)	List Price
SLCYL1827	18 - 27		12	\$576.00
SLCYL2336	23 - 36		15	\$646.00
SLCYL2946	29 - 46		18	\$667.00
SLCYL3555	35 - 55		20	\$705.00
SLCYL4164	41 - 64		25	\$769.00
SLCYL5388	33	55-88		\$879.00